

MTG-GL-167

REPLACES
DRAWING NUMBER
11

RELEASE NUMBER
AO18-38

REVISIONS

6	9/96
AO18-275	
7	12/96
AO18-293	
8	7/97
CO-000083	
9	8/97
CO-000106	
10	2/98
CO-000288	
11	CO/395
1	WEIR 6/98

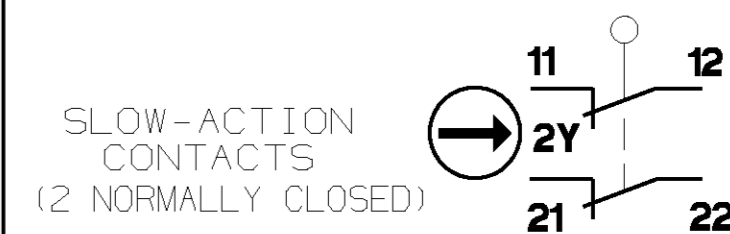
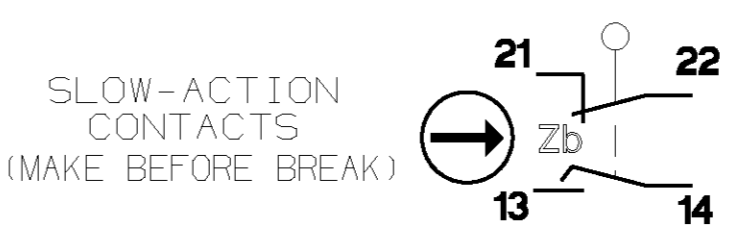
Honeywell

LIMIT SWITCH

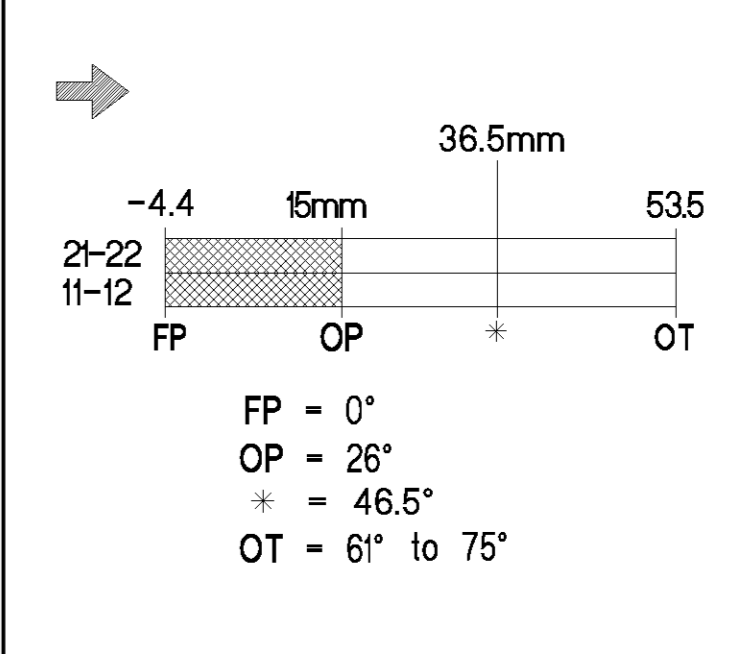
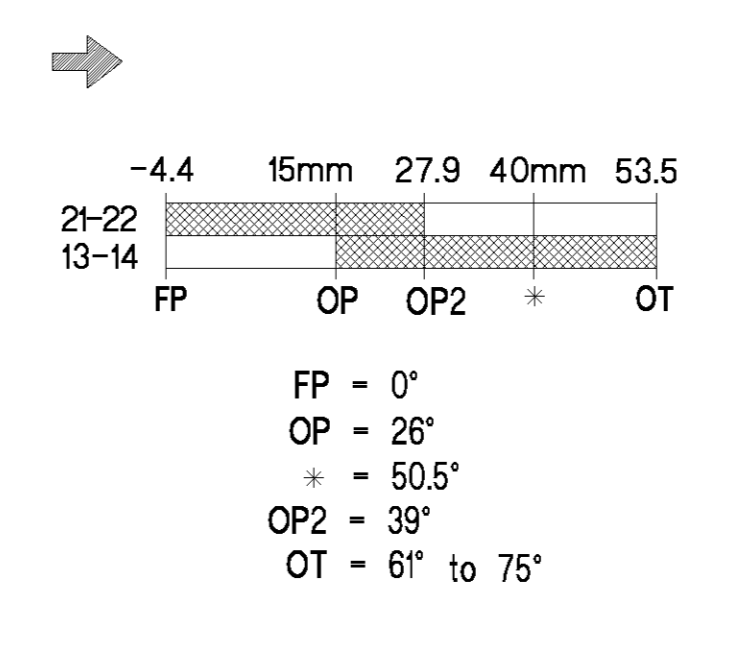
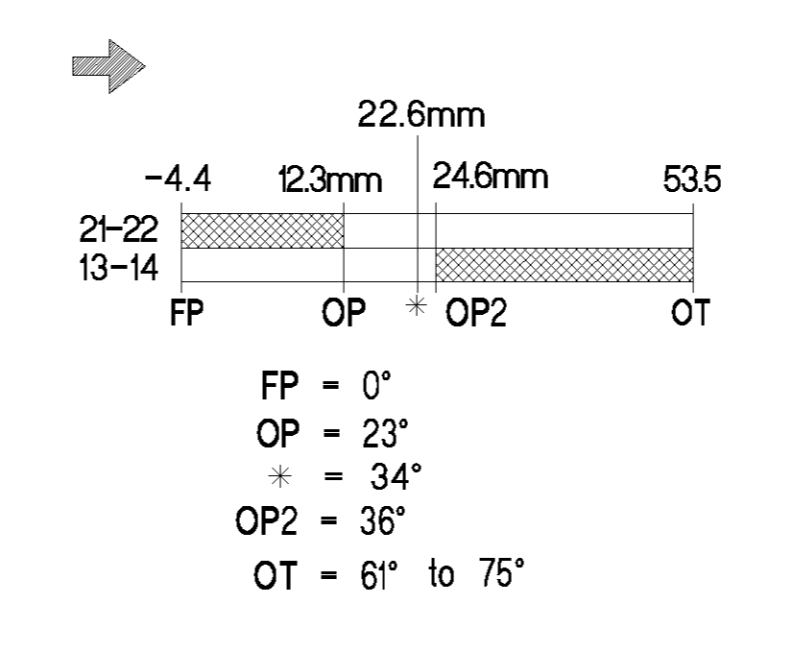
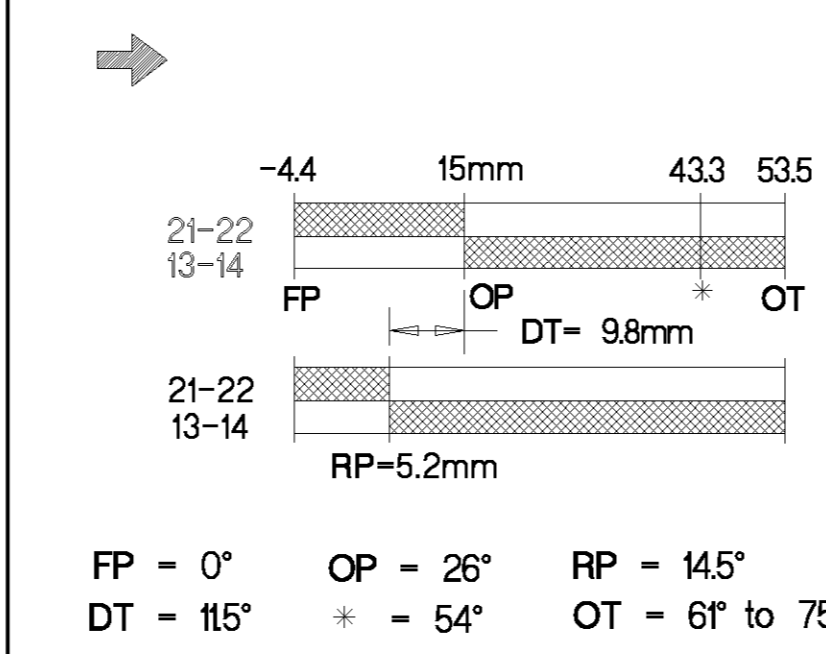
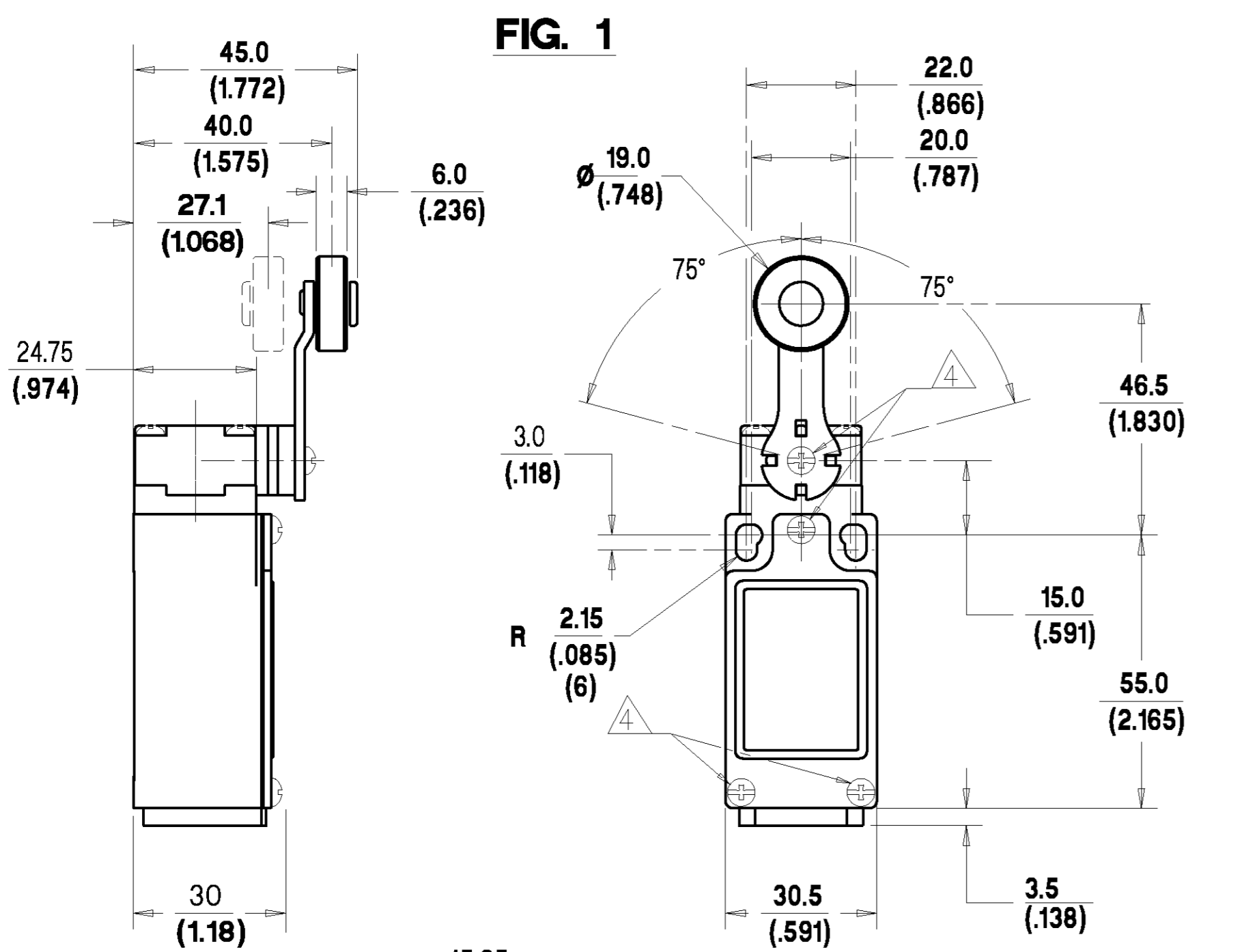
CATALOGUE LISTING

GLS

CHART NO.
MTG-GL-167



CONTACT BLOCK DIAGRAM TERMINAL DESIGNATION TO EN 50013



NOMINAL TRAVELS AND RELATED TERMINALS

CONTACT CLOSED

CONTACT OPEN

* POSITIVE OPENING TO IEC 947-5-1-3

120 (1.1)
140 (1.3)

110 (1.0)
160 (1.5)

110 (1.0)
170 (1.6)

110 (1.0)
150 (1.4)

NORMAL OPERATING TORQUE MAX (Nmm (in. lbs))

MAXIMUM DISCONNECT TORQUE (Nmm (in. lbs))

01
OR
07

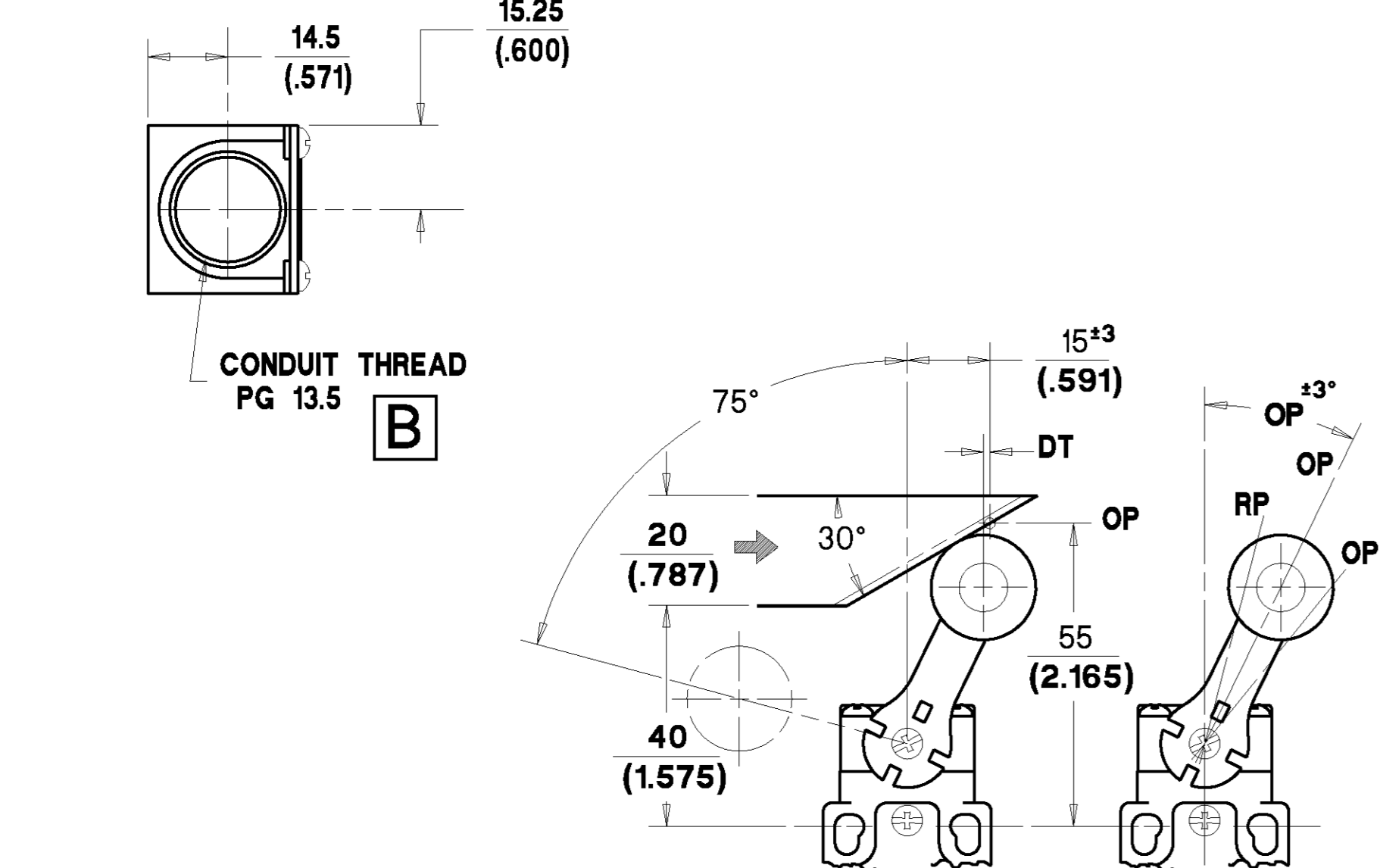
03
OR
33

04
OR
34

06
OR
36

BASIC SWITCH WITH SILVER CONTACTS

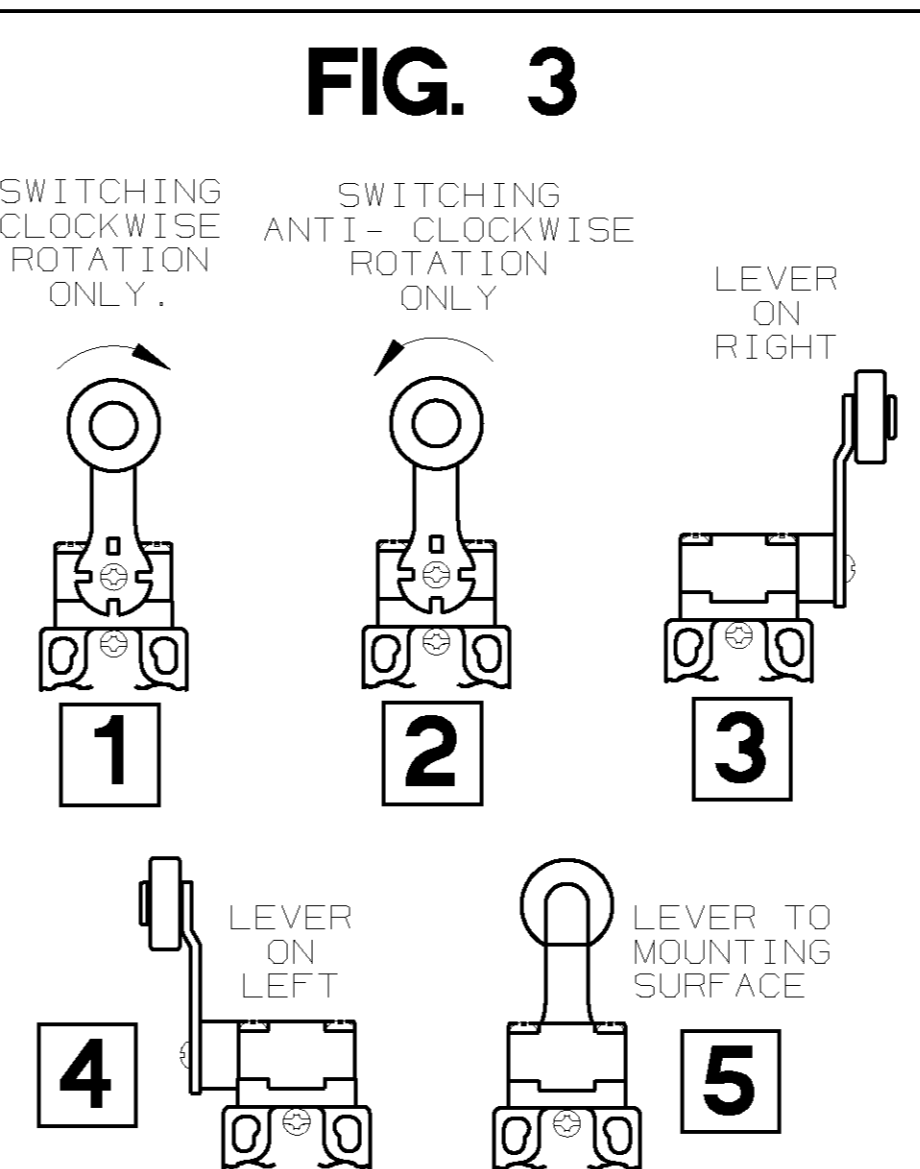
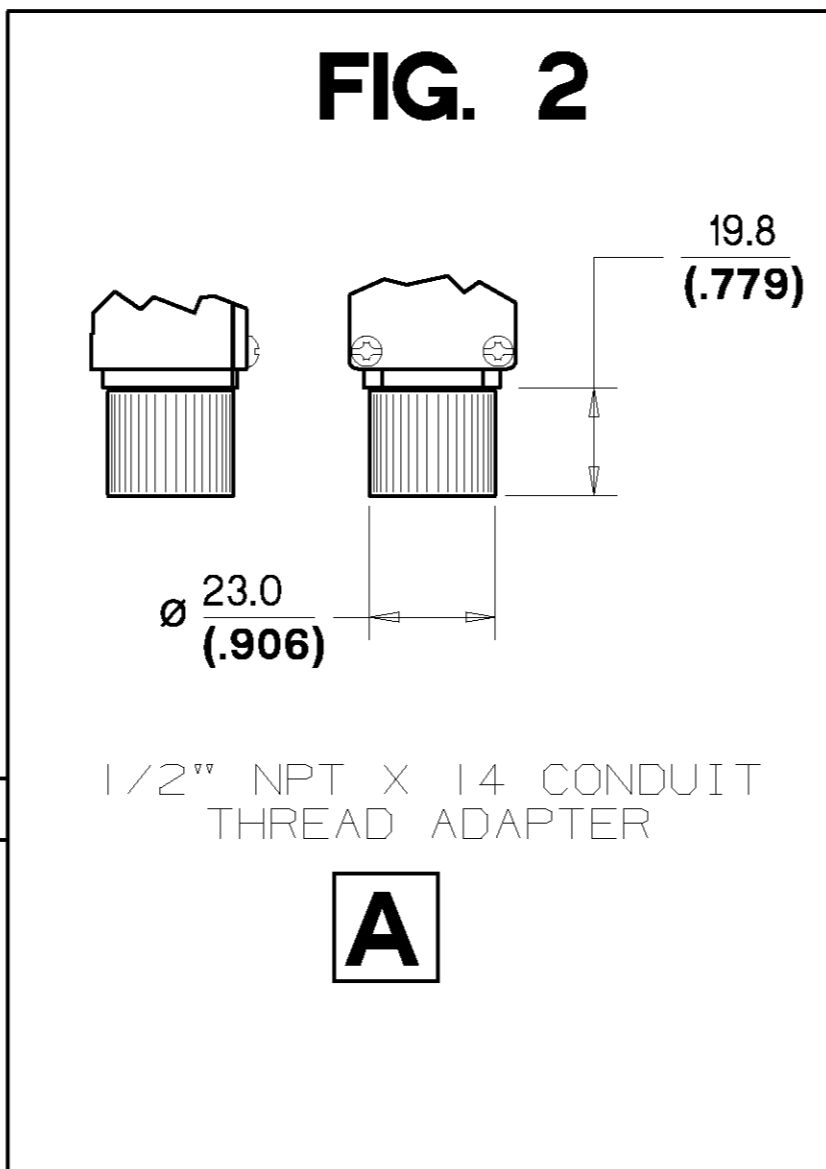
BASIC SWITCH WITH GOLD PLATED CONTACTS



NOTE:- ANY STANDARD LISTING WITH SUFFIX 'RS' OR 'FE' IS PERMITTED.

- NOTES:-
- ZINC DIECAST BODY AND HEAD WITH STEEL COVER. BODY AND COVER FINISHED IN MICRO SWITCH BLUE EPOXY PAINT. HEAD FINISHED IN BLACK EPOXY PAINT.
 - MINIMUM OPERATING VELOCITY (V_{min}) = 2.0 MM/S (THESE LIMITS APPLY TO CAM OPERATION AS SHOWN IN THE ABOVE DIAGRAMS ONLY)
 - MAXIMUM OPERATING VELOCITY (V_{max}) = 200 MM/S
 - MAXIMUM OPERATING FREQUENCY (F_{max}) = 250 OPS/MIN
 - FREE POSITION (FP), OPERATING POINT (OP), OVERTRAVEL (OT) AND PRETRAVEL (PT) ALL TO EN50047.
 - MAXIMUM TIGHTENING TORQUE FOR FIXING SCREW = 0.5Nm (4.4in.LB)

NO CHANGES CAN BE MADE TO THIS DRAWING WITHOUT JOINT NEWHOUSE/FREEPORT APPROVAL



3/93	STANDARD SILVER CONTACTS	GOLD PLATED CONTACTS		
3/93	ELECTRICAL RATING	ELECTRICAL RATING	ENVIRONMENTAL	APPROVALS
3/93	AC	DC		
	A300 AC15 U _e I _e	O300 DC13 U _e I _e	I _{th} = 10A	
	VOLTS AMPS 120 6 240 3	VOLTS AMPS 125 0.55 250 0.27	IP66 NEMA 1, 4, 12, 13	
			TEMP RANGE : -25°C TO 85°C -13°F TO 185°F	
			STORAGE : -40°C TO 85°C -40°F TO 185°F	
			SHOCK : 50G PER IEC 68-2-27	
			VIBRATION : 10G PER IEC 68-2-6	
				IEC 947-5-1 EN50047

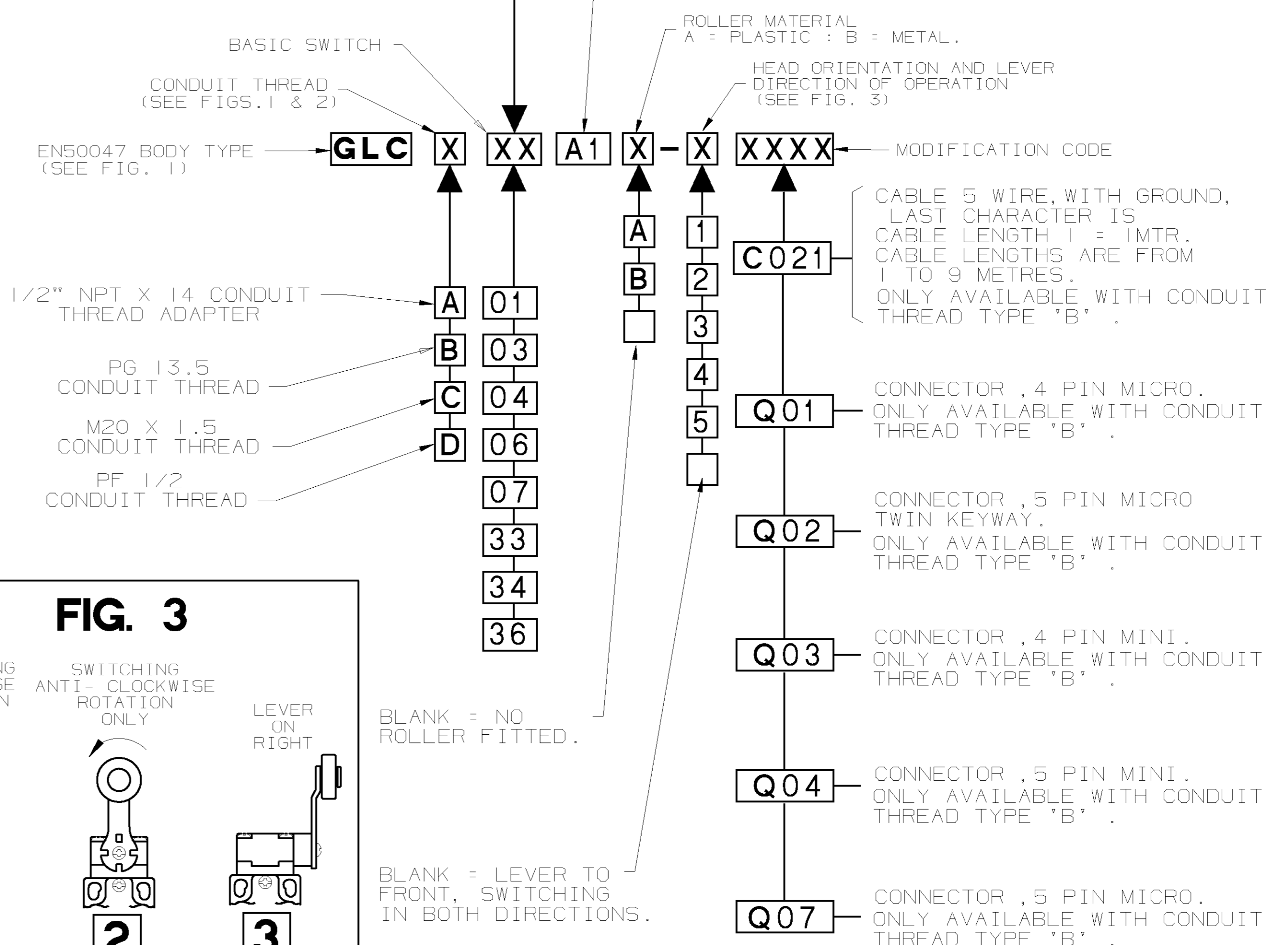
THE COPYRIGHT OF THIS DRAWING IS THE PROPERTY OF HONEYWELL LTD. THE DRAWING IS SUPPLIED IN CONFIDENCE AND MUST NOT BE USED FOR ANY PURPOSE OTHER THAN THAT FOR WHICH IT IS SUPPLIED.

THIRD ANGLE PROJECTION

SCALE 1:1

DIMENSIONS ARE IN MM/INCHES.

MODIFY ON CAD SYSTEM ONLY



3/93 M. LOCH
3/93 I. WEIR
3/93 J. BOYD
3/93 P. TRICKETT