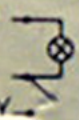


EARTH

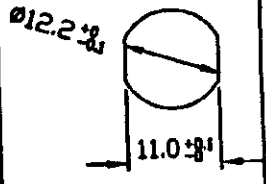

LOAD

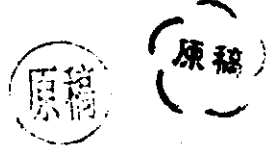
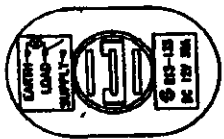
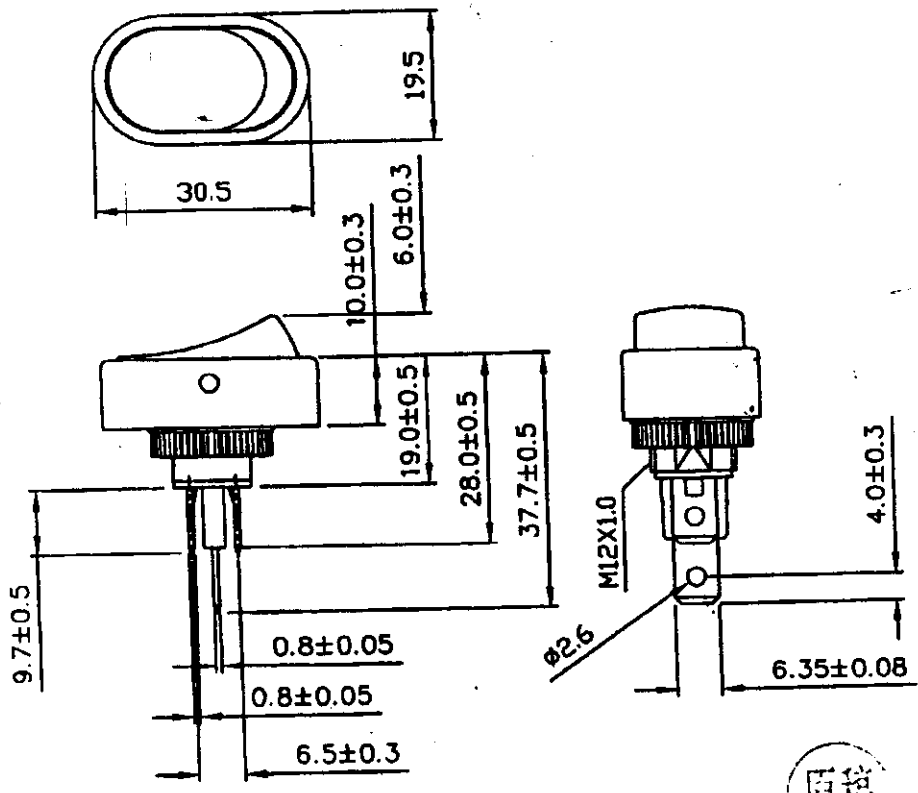
SUPPLY



R13-133

DC 12V 30A

Rating	12V 20A	Mounting Hole 	Circuit Diagram 
Contact Resistance	50m ohm Max.		
Insulation Resistance	DC 500V 100M ohm Min.		
Dielectric Strength	AC 1500V 1 minute		
Circuit	3P SPST ON-OFF		



適用1822284,1823621,1820936,1822288,1822270
 1822065,1822603,1823623,1822281,1822283
 1822282,1821160,1822828,1822602,1820939
 1820933,1823622,1822262,1822269

△	Date	Name	Descriptions			
Drawing	Check	Approval	SCI No.	Model Name		
徐洲迎	<i>[Signature]</i>	<i>[Signature]</i>	Customer No.	Model No.	R13-133B	
5/27/06	6/2-06	6/5-06	Unit	mm	SHIN CHIN INDUSTRIAL CO., LTD.	