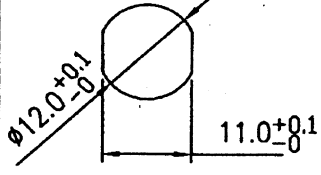

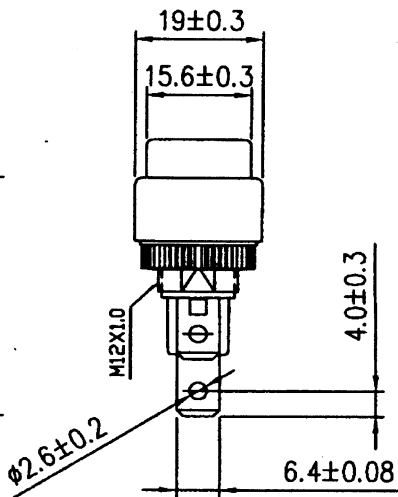
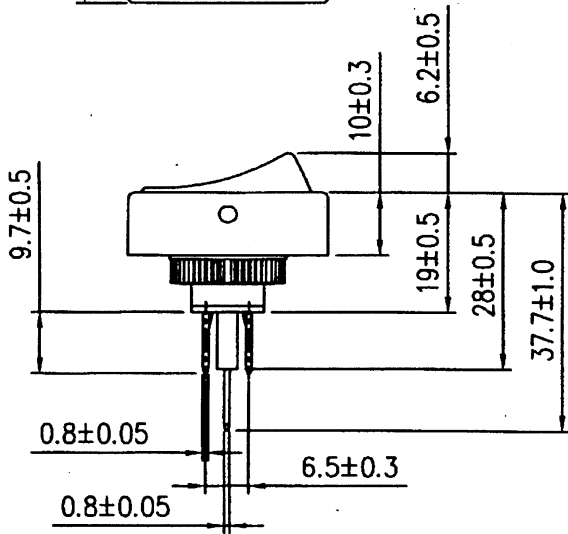
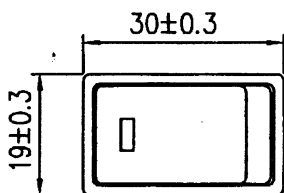


Rating	20A 12V DC		
Contact Resistance	50m ohm Max.		
Insulation Resistance	DC 500V 100M ohm Min.		
Dielectric Strength	AC 1500V 1 minute		
Switch Function	3P SPST ON-OFF (LED)		



GRD  
原稿  
80606-02

CEI

NO

Date	Name	Description					
Drawn	Checked	Approved	SCI BOM No.	1824266	Model Name	ROCKER SWITCH	
黃平平	<i>[Signature]</i>		Customer No.		Model No.	R13-207L	REV.
05/09/08	6/10 '08		Unit	mm			0