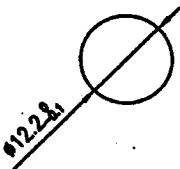
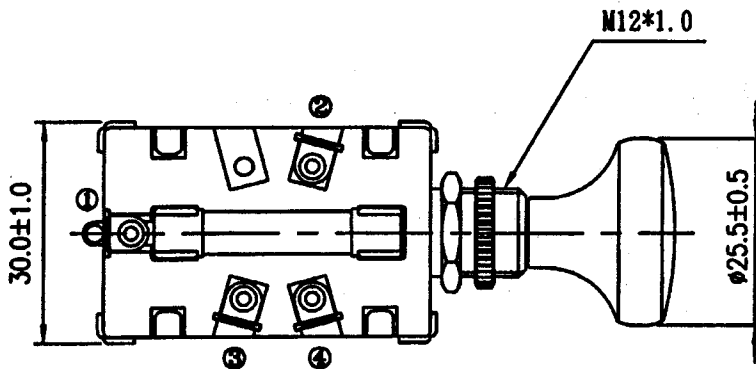
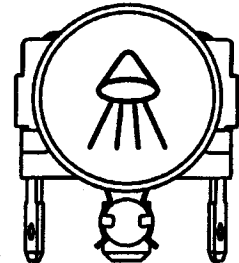
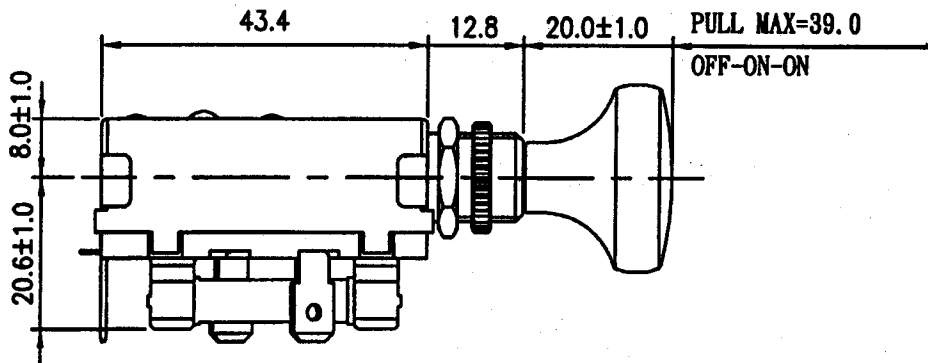
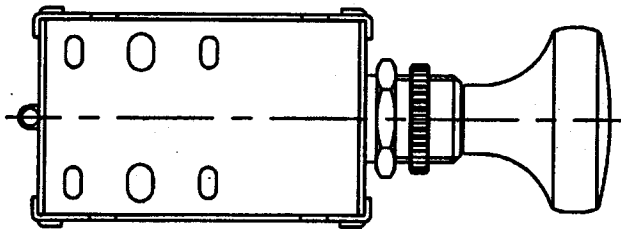


Rating	30A 12V DC		Diagram
Contact Resistance	50m ohm Max.		OFF--ON--ON
Insulation Resistance	DC 500V 100M ohm Min.		<pre> 1 2 1 2 ├───┬───┬───┬───┘ │   │   │   │ └───┴───┴───┴───┘ 3 4 3 4 </pre>
Dielectric Strength	AC 1500V 1 minute		
Switch Function	PUSH/PULL OFF-ON-ON		



						△	
						△	
Date	Name	Description				NO	
Drawn	Checked	Approved	SCI No.	1120237	Model Name	Push/Pull Switch	
黃龍東	研發部		Customer No.		Model No.	A3-20A	
6/29/'07	圖章 李元生		Unit	mm	SHIN CHIN INDUSTRIAL CO., LTD.		