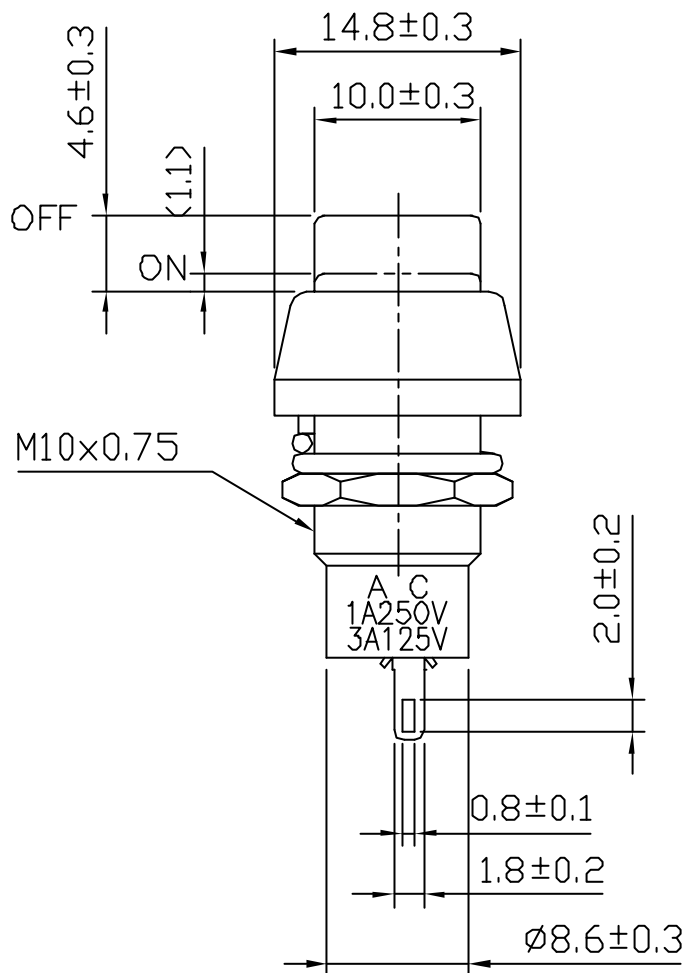
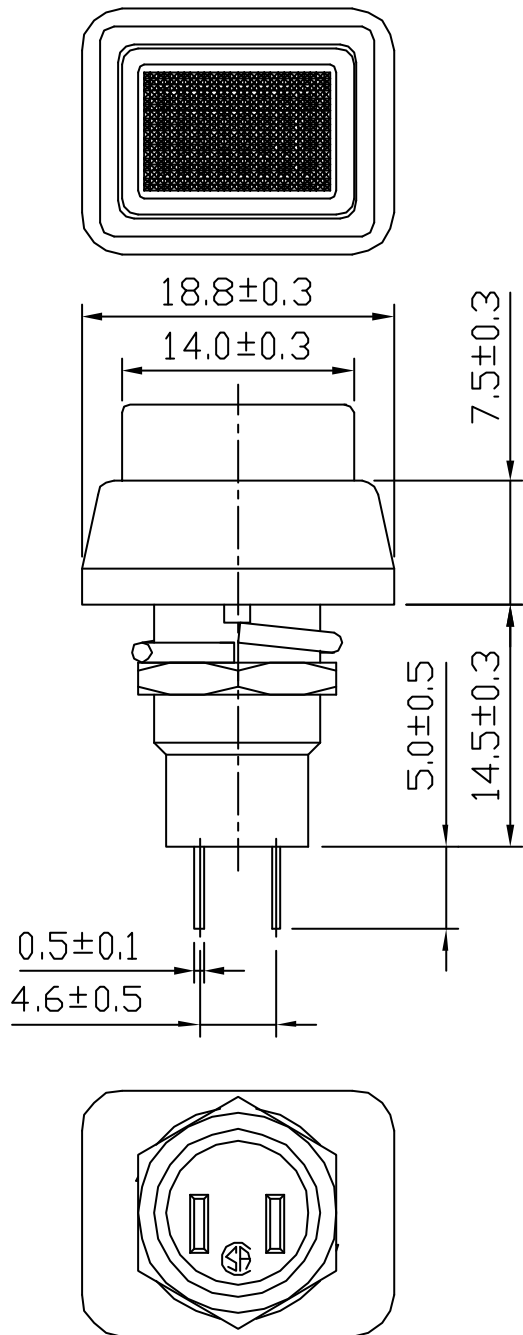


Rating	3A 125V,1A 250V AC		
Contact R	50m ohm Max.		
Insulation R	DC 500V 100M ohm Min.		
Dielectric Strength	AC 1500V 1 minute		
Circuit	2P SPST OFF-(ON)		



Customer No.			No.	Date	Name	Descriptions
SCI No.						
Model No.	R13-92A					
Drawing	Check	Approval				
王佰山		李景煌				
06/15/'98		06/16/'98				