

TM-848

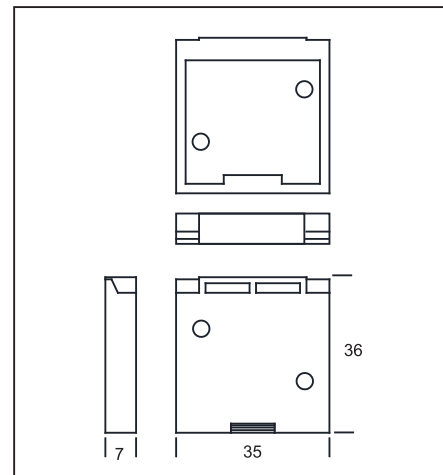
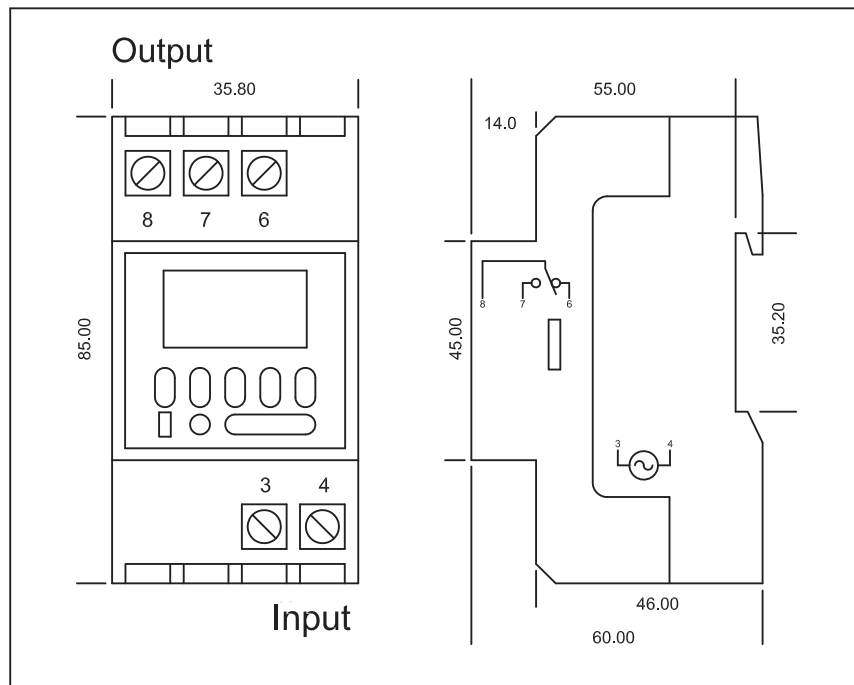
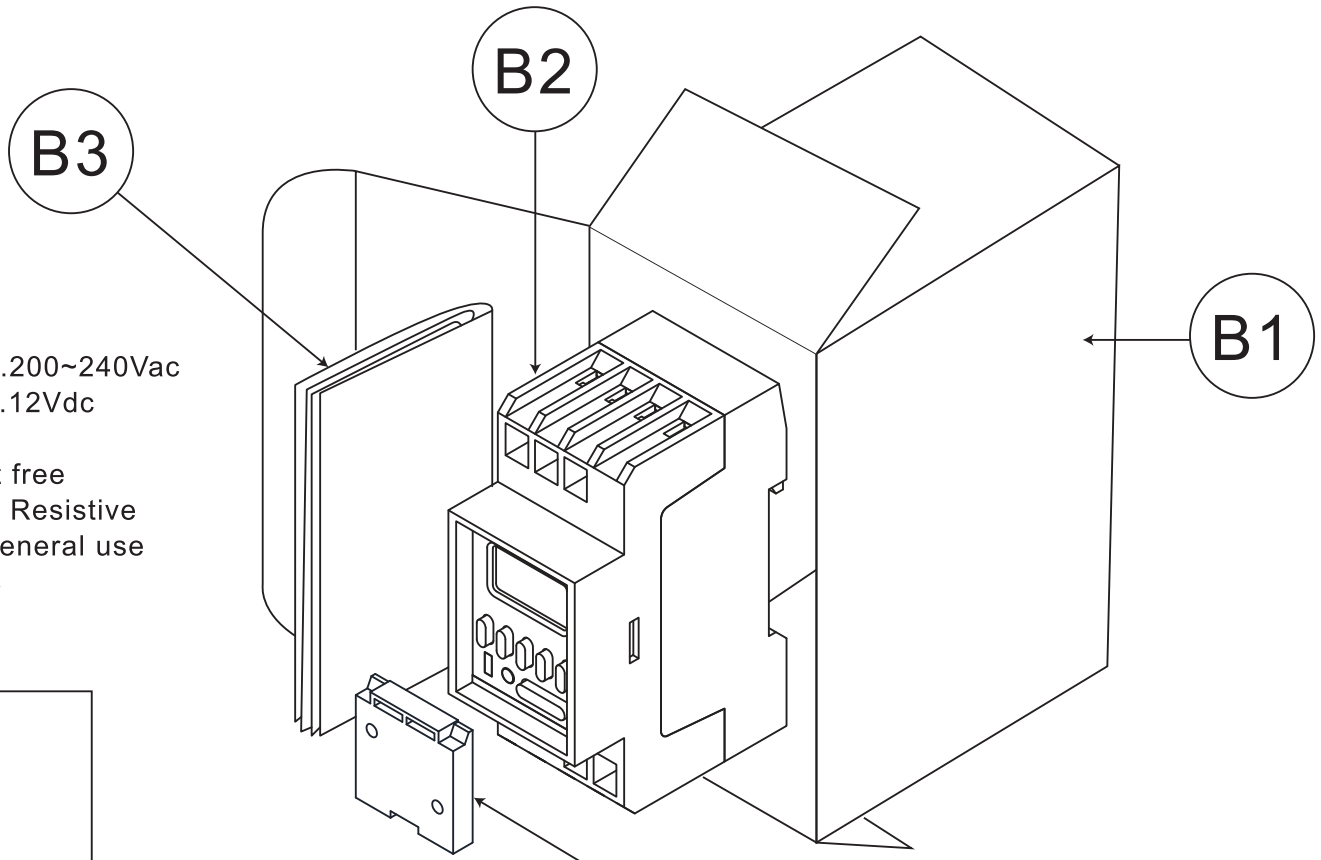
Features :

1. One Channel with more than 8 On / 8 Off
2. Manual On / Off / Auto Daily Digital Timer
3. 7D Programming Blocks
6. Manual On / Off / Auto 24-Hour Format

Specifications :

Input Voltage:
 1. 100~120Vac 2. 200~240Vac
 3. 24Vac/vdc 4. 12Vdc

Output Rating: Volt free
 16A, 120/4240Vac, Resistive
 8A, 120/240Vac, General use
 1/2HP, 120/240Vac



B2



Numbering	Part	Quantity
B1	White box	1
B2	TM-848 Unit +1 Square Housing	1
B3	Manual	1