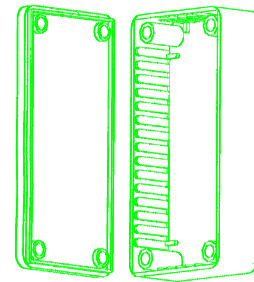
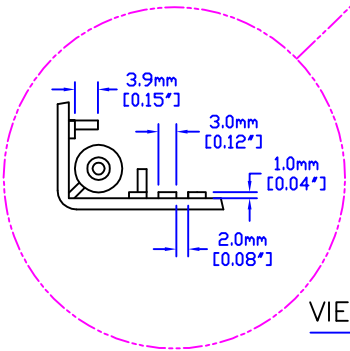
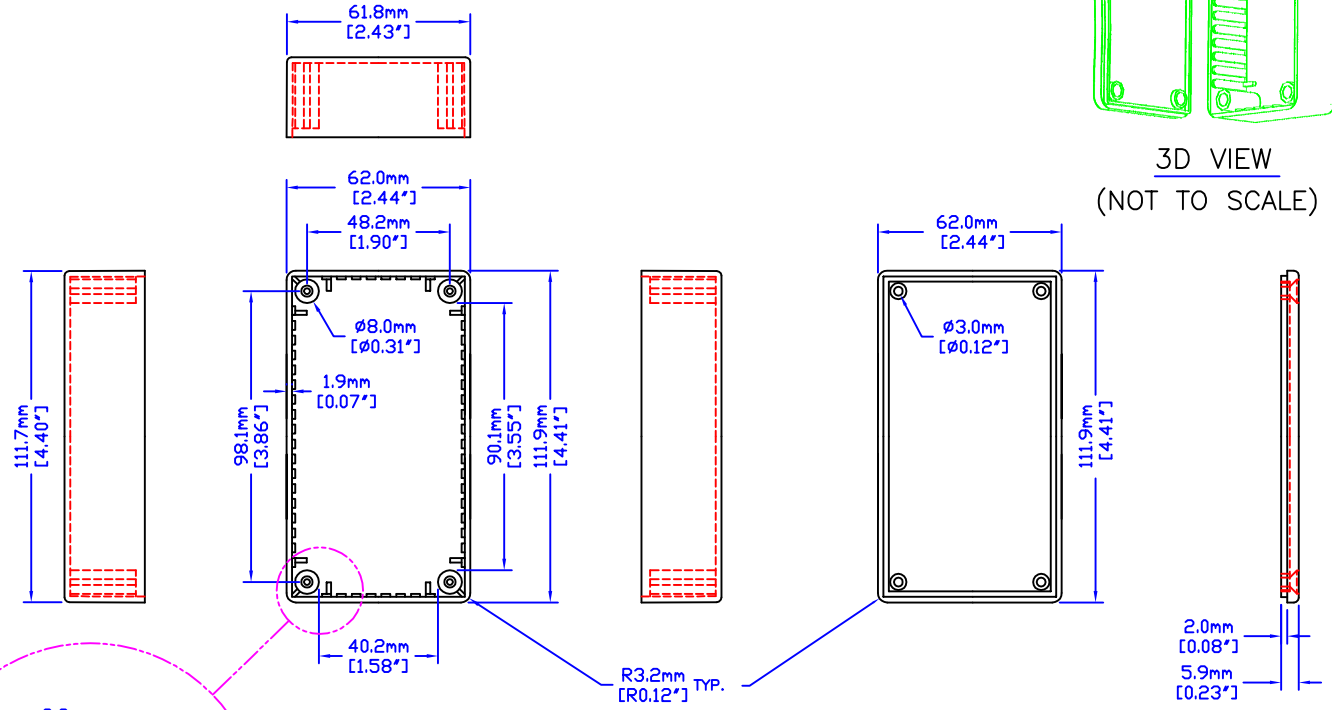



NOTES  
 MATERIAL: -ABS UL94 V0 WITH BRASS INSERTS & M3 SCREWS.  
 -STYRENE SELF TAPPING SCREWS.



3D VIEW  
 (NOT TO SCALE)

HAMMOND MANUFACTURING  
**BOX B**  
 website: [www.hammondmfg.com](http://www.hammondmfg.com)