

HSR-V7K



HSR-V7K
High Voltage Reed Switch

Electrical Characteristics @ 25 °C

Contact form		A
Contact material		W*
Contact rating max.	W / VA	50
Switching voltage max.	VDC	5000
	VAC	3500
Switching current max.	A	3
Carry current max.	A	4.5
Breakdown voltage min.	VDC	7500
Contact resistance max. (initial)	mΩ	150
Insulation resistance min.	Ω	10 ¹⁰

*Minimum load for contact material W: 3 Watts !

Magnetical Characteristics (of unmodified Reed Switch) @ 25 °C

Pull in range available	AT	60 - 125
Drop out min.	AT	20
Test coil	TC -	093
Test equipment tolerance	± AT	3

Operating Characteristics @ 25 °C

Switching frequency max.	Hz	50
Resonant frequency typ.	Hz	300
Operate time max. (incl. bounce)	ms	3
Release time max.	ms	1

Environmental Characteristics

Operating temperature	°C	-60 to +125
Vibration (50-2000 Hz)	g	30
Shock (1/2 sin 11 ms)	g	100

Life Expectancy

Resistive load	Voltage	Current	Operations
	24 VDC	2 A	1 x 10 ⁵
	5000 VDC	0.01 A	1 x 10 ⁵

Features

- Form A switch (normally open type)
- High voltage switch
- Switching voltage 5 kV
- Various sensitivity ranges available

Approvals

RoHS

REACH

Ordering Information

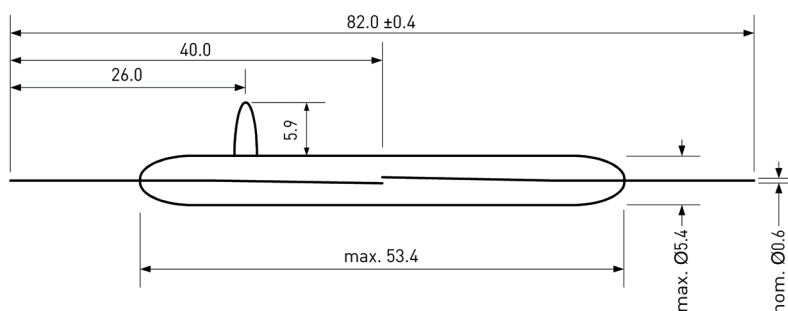
Packing Unit	100 pcs
Weight per piece	2.3 g
Weight per package	392 g
Standard AT ranges	

- 60 to 70 AT
- 70 to 80 AT
- 80 to 90 AT
- 90 to 100 AT
- 100 to 110 AT
- 110 to 120 AT
- 120 to 125 AT

Ordering example

HSR-V7K6070 describes HSR-V7K with 60 to 70 AT.

Dimensions in mm



© PIC GmbH