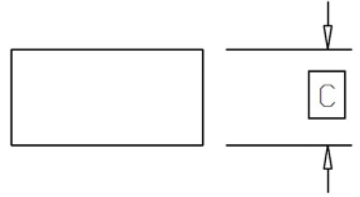
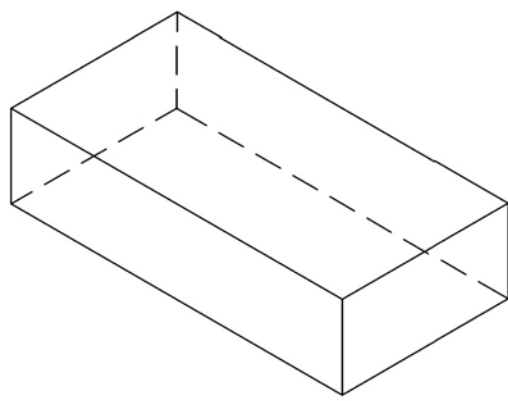
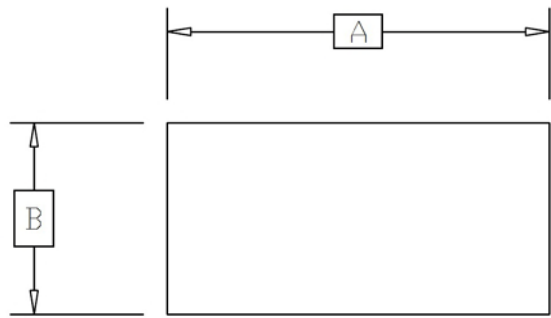


TAB		
P/N	DIM "A" (W)	DIM "B" (L)
-001	2	10
-002	2	5
-003	2	2
-004	5	20
-005	5	10
-006	5	5
-007	5	2
-008	10	10
-009	10	5
-010	10	2
-011	20	10
-012	20	5
-013	20	2

- Note:
1. Specification  
 Neodymium Iron Boron Magnet  
 Grade: N45  
 Remanence Br: 13.3-13.7kGs  
 Coercivity bHc: >=11.0kOe  
 Intrinsic Coercivity iHc: >=12kOe  
 Max. Energy Product BH max: 43-46MGJm<sup>3</sup>  
 Max. Operating Temperature: 80 degree C
  2. Unit in mm
  3. R0.3-0.5mm
  4. All +/-0.1mm unless otherwise specified

UNLESS OTHERWISE SPECIFIED DIMENSIONS ARE METRIC. TOLERANCES ARE: FRACTIONS DECIMALS ± .X ±0.1 .XX ±0.01 DO NOT SCALE DRAWING	APPROVALS	DATE		Distributor: Conrad Electronic SE D - 92242 Hirschau <a href="http://www.conrad.com">www.conrad.com</a> <a href="http://www.conrad.biz">www.conrad.biz</a> <a href="http://www.conrad.de">www.conrad.de</a>	
	DRAWN Calvin Tang	21/01/11			TITLE NdFeB-Magnet Zylinder N45
	ENGINEER		THIRD ANGLE 		
	CHECKED		SIZE DWG NO. REV 20110121-02-TAB 0		
FINISH	APPROVED		SCALE: NONE	20110121-02.dwg	SHEET 1 OF 3
SIMILAR TO	MARKING SYMBOL	ISSUED			



TAB			
P/N	DIM "A" (W)	DIM "B" (L)	DIM "C" (H)
-001	2	2	2
-002	5	5	5
-003	10	5	5
-004	10	10	5
-005	10	10	10
-006	20	5	5
-007	20	10	5
-008	20	10	10
-009	20	20	5
-010	20	20	10
-011	20	20	20

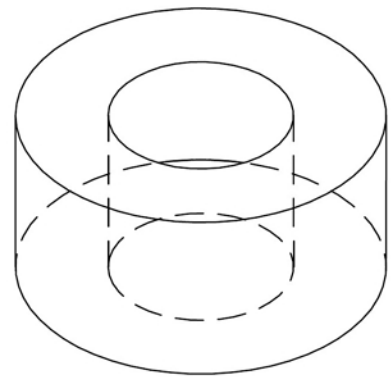
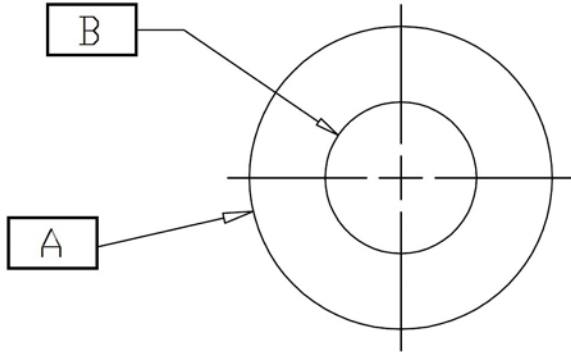
Note:

1. Specification

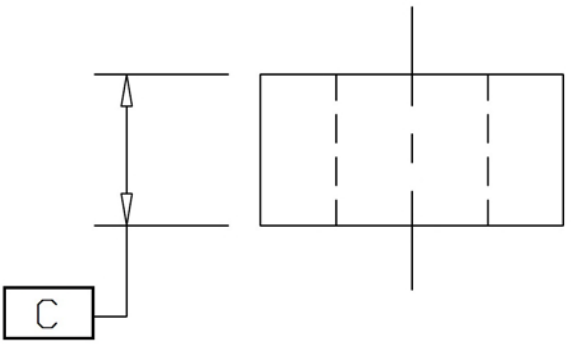
Neodymium Iron Boron Magnet  
 Grade: N45  
 Remanence Br: 13.3-13.7kGs  
 Coercivity bHc: >=11.0kOe  
 Intrinsic Coercivity iHc: >=12kOe  
 Max. Energy Product BH max: 43-46MG Oe  
 Max. Operating Temperature: 80 degree C

2. Unit in mm  
 3. R0.3-0.5mm  
 4. All +/-0.1mm unless otherwise specified

UNLESS OTHERWISE SPECIFIED DIMENSIONS ARE METRIC. TOLERANCES ARE: FRACTIONS DECIMALS ± .X ±0.1 .XX ±0.01  DO NOT SCALE DRAWING TREATMENT  FINISH  SIMILAR TO MARKING SYMBOL	APPROVALS		DATE	Distributor: Conrad Electronic SE D - 92242 Hirschau www.conrad.com www.conrad.biz www.conrad.de	THIRD ANGLE 
	DRAWN Calvin Tang		21/01/11		
	ENGINEER			TITLE	
	CHECKED			NdFeB-Magnet Rechteck N45	
APPROVED			SIZE	DWG NO.	REV.
ISSUED				20110121-02-TAB	0
SCALE: NONE			20110121-02.dwg		SHEET 2 OF 3



TAB			
P/N	DIM "A" (OD)	DIM "B" (ID)	DIM "C" (H)
-001	10	5	10
-002	10	5	5
-003	10	5	2
-004	20	10	10
-005	20	10	5
-006	20	10	2



Note:  
 1. Specification  
 Neodymium Iron Boron Magnet  
 Grade: N45  
 Remanence Br: 13.3-13.7kGs  
 Coercivity bHc: >=11.0kOe  
 Intrinsic Coercivity iHc: >=12kOe  
 Max. Energy Product BH max: 43-46MG Oe  
 Max. Operating Temperature: 80 degree C

- 2. Unit in mm
- 3. R0.3-0.5mm
- 4. All +/-0.1mm unless otherwise specified

UNLESS OTHERWISE SPECIFIED DIMENSIONS ARE METRIC. TOLERANCES ARE: FRACTIONS DECIMALS ± .X ±0.1 .XX ±0.01 DO NOT SCALE DRAWING	APPROVALS	DATE	Distributor: Conrad Electronic SE D - 92242 Hirschau <a href="http://www.conrad.com">www.conrad.com</a> <a href="http://www.conrad.biz">www.conrad.biz</a> <a href="http://www.conrad.de">www.conrad.de</a>	THIRD ANGLE 	
	DRAWN Calvin Tang	21/01/11			TITLE NdFeB-Magnet Ring N45
	TREATMENT	CHECKED	SIZE	DWG NO. 20110121-02-TAB	REV 0
	FINISH	APPROVED	ISSUED	SCALE: NONE	20110121-02.dwg