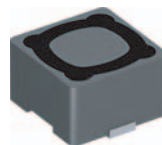


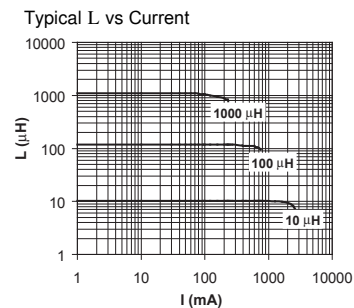
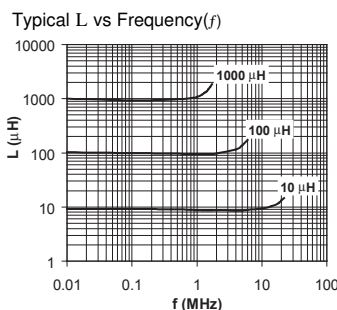
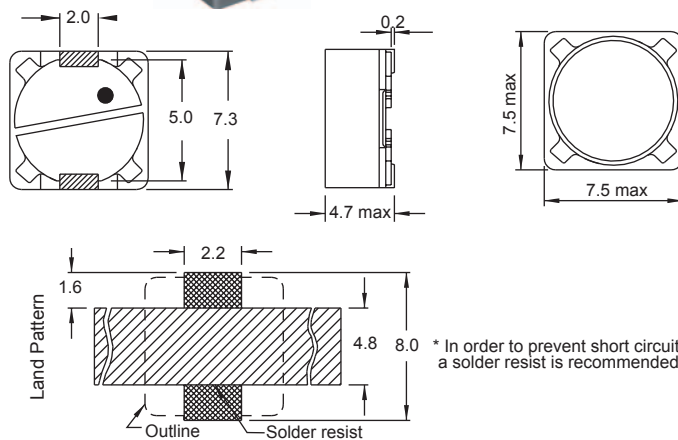
PIS 2816



Part No	Inductance L (μH)	f _L (kHz)	Tol ± (%)	DCR max (mΩ)	Rated DC Current I _{sat} (A)
PIS2816-100M-04	10	1	20	49	1.84
PIS2816-120M-04	12	1	20	58	1.71
PIS2816-150M-04	15	1	20	81	1.47
PIS2816-180M-04	18	1	20	91	1.31
PIS2816-220M-04	22	1	20	110	1.23
PIS2816-270M-04	27	1	20	150	1.12
PIS2816-330M-04	33	1	20	170	0.96
PIS2816-390M-04	39	1	20	230	0.91
PIS2816-470M-04	47	1	20	260	0.88
PIS2816-560M-04	56	1	20	350	0.75
PIS2816-680M-04	68	1	20	380	0.69
PIS2816-820M-04	82	1	20	430	0.61
PIS2816-101M-04	100	1	20	610	0.6
PIS2816-121M-04	120	1	20	660	0.52
PIS2816-151M-04	150	1	20	880	0.46
PIS2816-181M-04	180	1	20	980	0.42
PIS2816-221M-04	220	1	20	1170	0.36
PIS2816-271M-04	270	1	20	1640	0.34
PIS2816-331M-04	330	1	20	1860	0.32
PIS2816-391M-04	390	1	20	2850	0.29
PIS2816-471M-04	470	1	20	3010	0.26
PIS2816-561M-04	560	1	20	3620	0.23
PIS2816-681M-04	680	1	20	4630	0.22
PIS2816-821M-04	820	1	20	5200	0.2
PIS2816-102M-04	1000	1	20	6000	0.18

Material : Ferrite
SPQ : Reel 1000 [-04]

Remark : I_{sat} - see description in Inductors Technical Data page 51



SMD Power Inductors Shielded