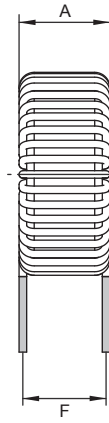
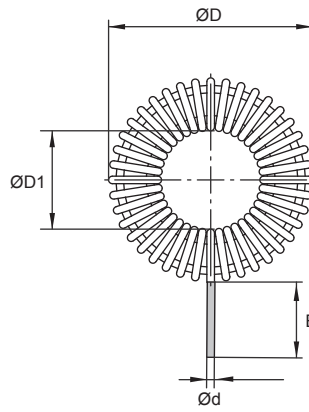


**TLC/0.1A**



Part No	Inductance (fL = 1 kHz)		Tol ± (%)	DCR max (mΩ)	Weight (grams)	Dimensions					
	At Idc=0A (µH)	At rated current (µH)				ØD max	F	A max	E	Ød	ØD1 min
TLC/0.1A-100M-00	10	10.0	<b>20</b>	300	2.0	12	4	5	10	0.15	4.5
TLC/0.1A-150M-00	15	15.0	<b>20</b>	370	2.0	12	4	5	10	0.15	4.5
TLC/0.1A-220M-00	22	22.0	<b>20</b>	440	2.0	12	4	5	10	0.15	4.5
TLC/0.1A-330M-00	33	32.9	<b>20</b>	530	2.0	12	4	5	10	0.15	4.5
TLC/0.1A-470M-00	47	46.8	<b>20</b>	640	2.0	12	4	5	10	0.15	4.5
TLC/0.1A-680M-00	68	67.6	<b>20</b>	760	2.0	12	4	5	10	0.15	4.5
TLC/0.1A-101M-00	100	99.3	<b>20</b>	930	2.0	12	4	5	10	0.15	4.5
TLC/0.1A-151M-00	150	148.5	<b>20</b>	1140	2.1	12	4	5	10	0.15	4.5
TLC/0.1A-221M-00	220	216.7	<b>20</b>	1380	2.1	12	4	5	10	0.15	4.5
TLC/0.1A-331M-00	330	324.0	<b>20</b>	1700	2.1	12	4	5	10	0.15	4.5
TLC/0.1A-471M-00	470	458.7	<b>20</b>	2020	2.2	12.5	4.5	5.5	10	0.15	4.5
TLC/0.1A-681M-00	680	656.2	<b>20</b>	2430	2.3	12.5	4.5	5.5	10	0.15	4.5
TLC/0.1A-102M-00	1000	955.0	<b>20</b>	3000	2.4	12.5	4.5	5.5	10	0.15	4.5

Material : Iron Dust

SPQ : Loose / Box 800 [-00]