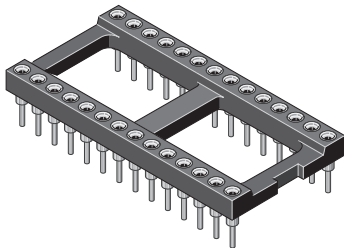


**DIL SOCKETS „THROUGH HOLE“**  
**ID: 001** MP open frame

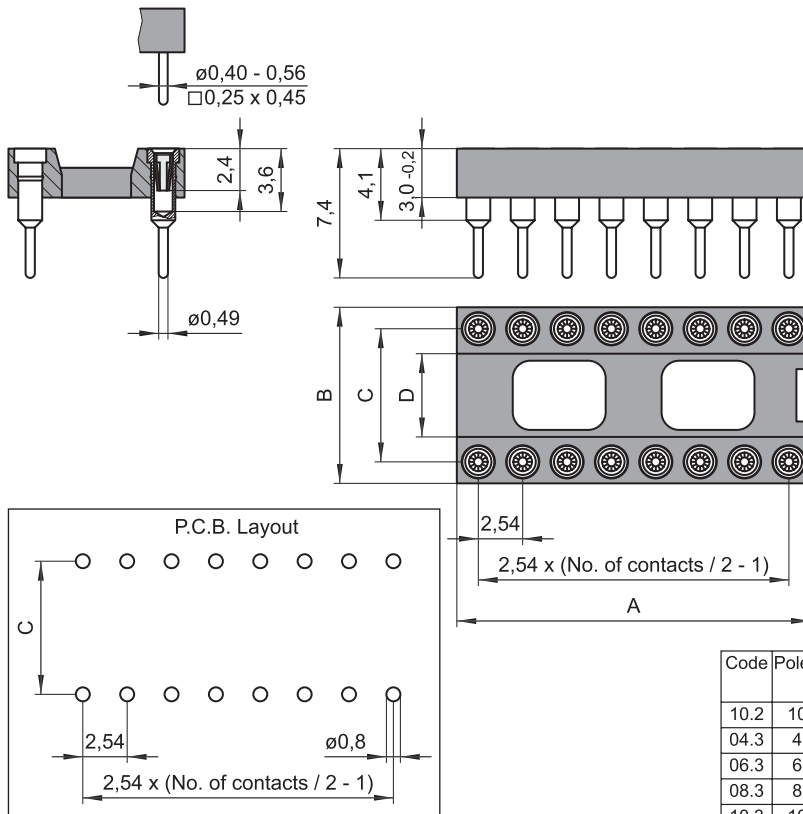
1 | 2,54 mm

Series 100



**TECHNICAL DATA**

Pitch	2,54 mm
Insulating Material	high temp. thermoplast UL94V-0
Contact Material	Brass/BeCu
Rated Current	1 Amp.
Rated Voltage	100 V <sub>RMS</sub> /150 V <sub>DC</sub>
Breakdown Voltage	min. 1000 V <sub>RMS</sub>
Operating Temperature	-55°C bis +125°C
Maximum Soldering Temperature	260°C for 10 seconds



All dimensions in mm.  
 Other dimensions upon request.

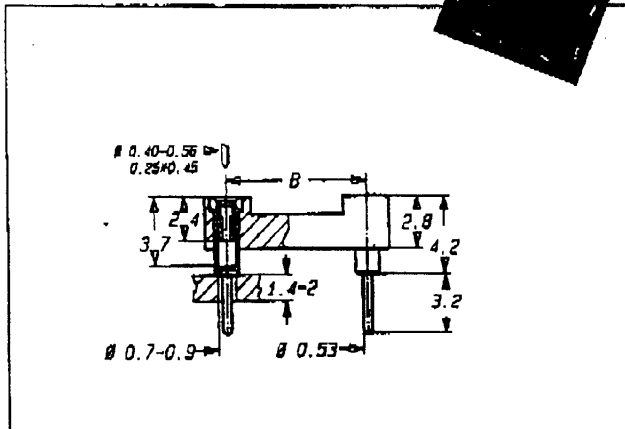
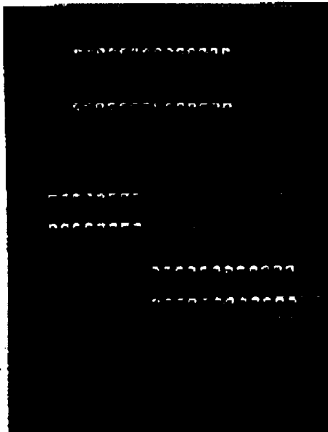
Code	Poles	A	B	C	D
10.2	10	12,62	7,54	5,08	2,60
04.3	4	5,00	10,08	7,62	4,00
06.3	6	7,54	10,08	7,62	4,00
08.3	8	10,08	10,08	7,62	4,00
10.3	10	12,62	10,08	7,62	4,00
14.3	14	17,70	10,08	7,62	4,00
16.3	16	20,24	10,08	7,62	4,00
18.3	18	22,78	10,08	7,62	4,00
20.3	20	25,32	10,08	7,62	4,00
22.3	22	27,86	10,08	7,62	4,00
24.3	24	30,40	10,08	7,62	4,00
28.3	28	35,48	10,08	7,62	4,00
22.4	22	27,86	12,62	10,16	7,40
24.4	24	30,40	12,62	10,16	7,40
24.6	24	30,40	17,70	15,24	11,10
28.6	28	35,48	17,70	15,24	11,10
32.6	32	40,56	17,70	15,24	11,10
36.6	36	45,64	17,70	15,24	11,10
40.6	40	50,72	17,70	15,24	11,10
48.6	48	60,88	17,70	15,24	11,10
50.9	50	63,42	25,32	22,86	19,30
64.9	64	81,20	25,32	22,86	19,30

Code: see table

MP XX.Y SXX U

XX: TG B = sleeve: Sn / clip: Au  
 GG B = sleeve: Au / clip: Au  
 TG B w = brass pin - for autom. assembly  
 TG B OM = without center bar  
 TG B 6FC = with 6-finger clip for lower insertion- and withdrawal forces  
 TG B 8 = sleeve: Sn / clip: 0,75µm Au

U: RoHS-compliant with high temp. plastic



Standard EuroDip IC-Sockets line for most applications.

Open frame for:

- best heat dissipation
- easy PCB cleaning and inspection
- 4-finger clip for safe contact
- contact point at 2.4 mm
- low profile
- rigid socket body construction

For technical information please refer to page 6

5 $\mu$ m Sn	5 $\mu$ m Sn	5 $\mu$ m Sn	0.25 $\mu$ m Au	Plating Sleeve (Pin)	
<i>FlanA-Gold</i> ca. 0.1 $\mu$ m	0.75 $\mu$ m Au	5 $\mu$ m Sn	0.75 $\mu$ m Au	Plating Contact (Clip)	
All EuroDip sockets are stackable side by side and end to end				no of pins	Insulator body figures pages 8-12
B: pitch row to row: 5,08 mm (.2") C: total socket width: 7,60 mm					
BU-1000Z-030	BU-1000Z-075	BU-1000ZZ	BU-1000G-075	10	Figure 1
B: pitch row to row: 7,62 mm (.3") C: total socket width: 10,10 mm					
BU-040Z-E	BU-040Z-075	BU-040ZZ	BU-040G-075	4	Figure 2
BU-060Z-E	BU-060Z-075	BU-060ZZ	BU-060G-075	6	Figure 3
BU-080Z-E	BU-080Z-075	BU-080ZZ	BU-080G-075	8	Figure 4
BU-100Z-E	BU-100Z-075	BU-100ZZ	BU-100G-075	10	Figure 5
BU-140Z-E	BU-140Z-075	BU-140ZZ	BU-140G-075	14	Figure 6
BU-160Z-E	BU-160Z-075	BU-160ZZ	BU-160G-075	16	Figure 7
BU-180Z-E	BU-180Z-075	BU-180ZZ	BU-180G-075	18	Figure 8
BU-200Z-E	BU-200Z-075	BU-200ZZ	BU-200G-075	20	Figure 9
BU-2210Z-E	BU-2210Z-075	BU-2210ZZ	BU-2210G-075	22	Figure 10
BU-2410Z-E	BU-2410Z-075	BU-2410ZZ	BU-2410G-075	24	Figure 11
BU-2810Z-E	BU-2810Z-075	BU-2810ZZ	BU-2810G-075	28	Figure 12
B: pitch row to row: 10,16 mm (.4") C: total socket width: 12,60 mm					
BU-2020Z-E	BU-2020Z-075	BU-2020ZZ	BU-2020G-075	20	Figure 13
BU-220Z-E	BU-220Z-075	BU-220ZZ	BU-220G-075	22	Figure 14
BU-2420Z-E	BU-2420Z-075	BU-2420ZZ	BU-2420G-075	24	Figure 15
BU-2820Z-E	BU-2820Z-075	BU-2820ZZ	BU-2820G-075	28	Figure 16
BU-3220Z-E	BU-3220Z-075	BU-3220ZZ	BU-3220G-075	32	Figure 17
B: pitch row to row: 15,24 mm (.6") C: total socket width: 17,70 mm					
BU-240Z-E	BU-240Z-075	BU-240ZZ	BU-240G-075	24	Figure 18
BU-280Z-E	BU-280Z-075	BU-280ZZ	BU-280G-075	28	Figure 19
BU-320Z-E	BU-320Z-075	BU-320ZZ	BU-320G-075	32	Figure 20
BU-360Z-E	BU-360Z-075	BU-360ZZ	BU-360G-075	36	Figure 21
BU-400Z-E	BU-400Z-075	BU-400ZZ	BU-400G-075	40	Figure 22
BU-420Z-E	BU-420Z-075	BU-420ZZ	BU-420G-075	42	Figure 23
BU-480Z-E	BU-480Z-075	BU-480ZZ	BU-480G-075	48	Figure 24
BU-5030Z-E	BU-5030Z-075	BU-5030ZZ	BU-5030G-075	50	Figure 25
BU-5230Z-E	BU-5230Z-075	BU-5230ZZ	BU-5230G-075	52	Figure 26
B: pitch row to row: 22,86 mm (.9") C: total socket width: 25,30 mm					
BU-500Z-E	BU-500Z-075	BU-500ZZ	BU-500G-075	50	Figure 27
BU-520Z-E	BU-520Z-075	BU-520ZZ	BU-520G-075	52	Figure 28
BU-640Z-E	BU-640Z-075	BU-640ZZ	BU-640G-075	64	Figure 29