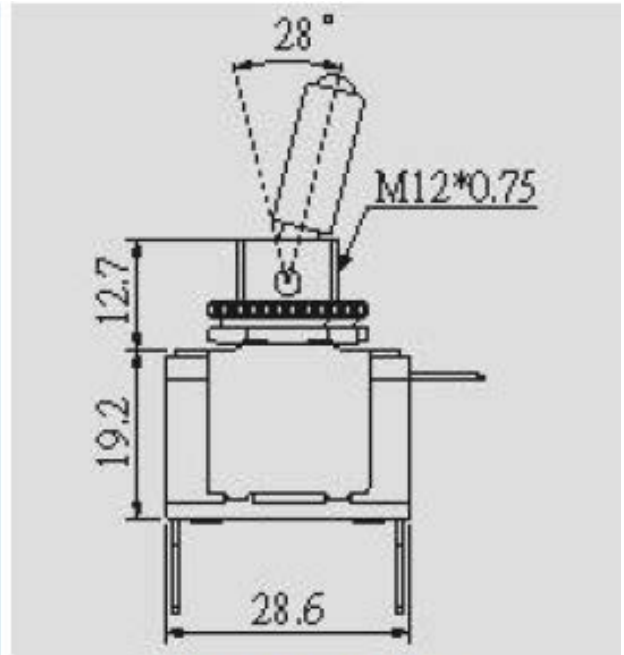


Toggle Switch Amber



20A 12V DC

Ø 12.2

6 mm max

FUNCTION

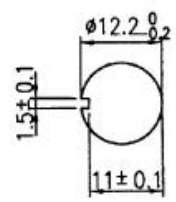
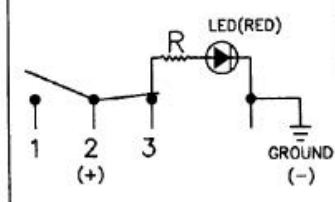


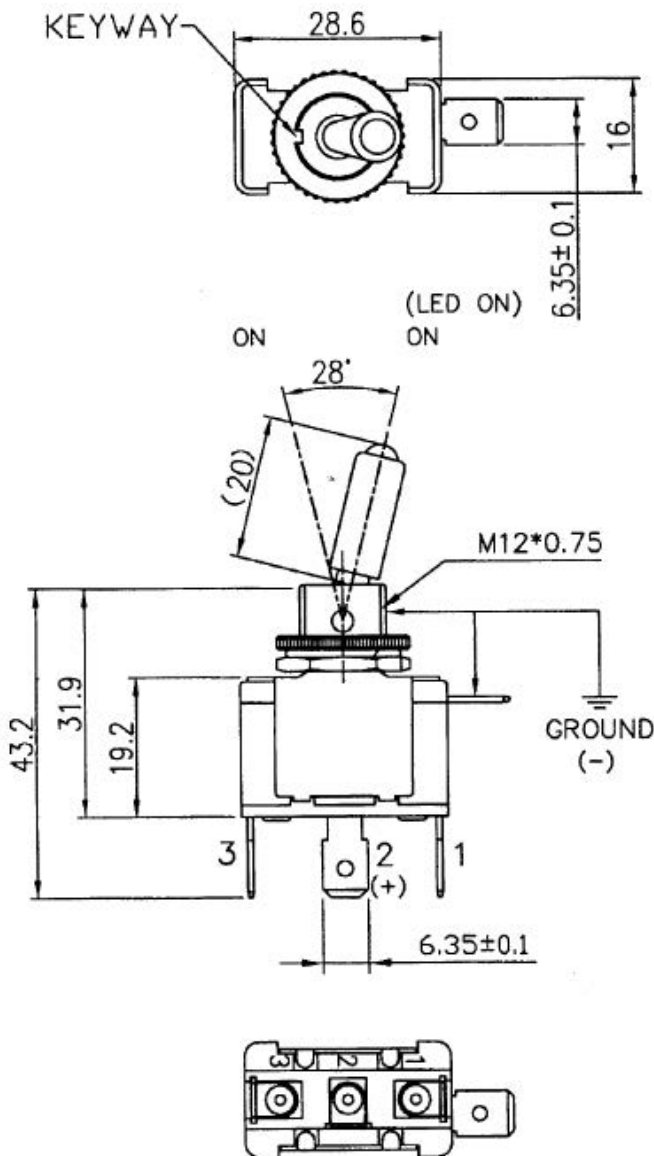
TERMINAL

0 1 .250" Quick connect

Unit: mm

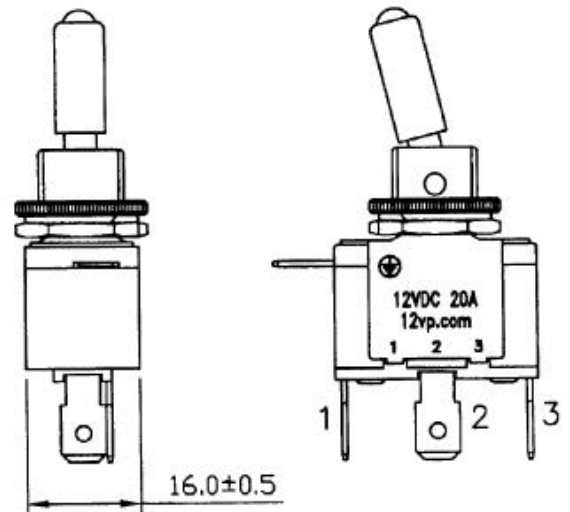
Toggle Switch Amber

Rating	20A 12VDC	Mount Hole		Circuit Structure	
Contact R	50m ohm Max.				
Insulation R	DC 500V 100M ohm Min.				
Dielectric Strength	AC 1500V 1 minute				
Circuit	4P SPST ON-ON (LED)				



Descriptions:

- 1.Material: Frames are nylon (UL flame: 94V-2). Terminals are silver plated brass.
- 2.LED indicator on the top of lever LED red.



一般公差 ±0.5

Unit: mm

This is a publication by Conrad Electronic SE, Klaus-Conrad-Str. 1, D-92240 Hirschau (www.conrad.com).

All rights including translation reserved. Reproduction by any method, e.g. photocopy, microfilming, or the capture in electronic data processing systems require the prior written approval by the editor. Reprinting, also in part, is prohibited. This publication represents the technical status at the time of printing.

© Copyright 2017 by Conrad Electronic SE.