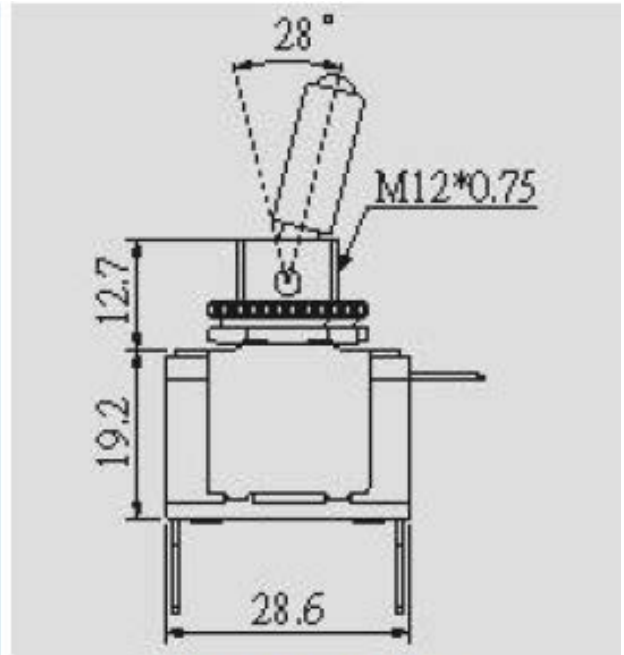


## Toggle Switch RED



20A 12V DC


Ø 12.2

6 mm max

### FUNCTION



### TERMINAL

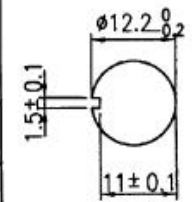
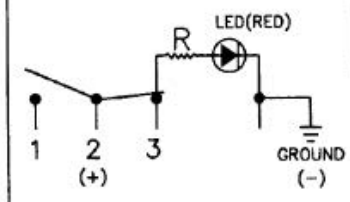
0 1  .250" Quick connect

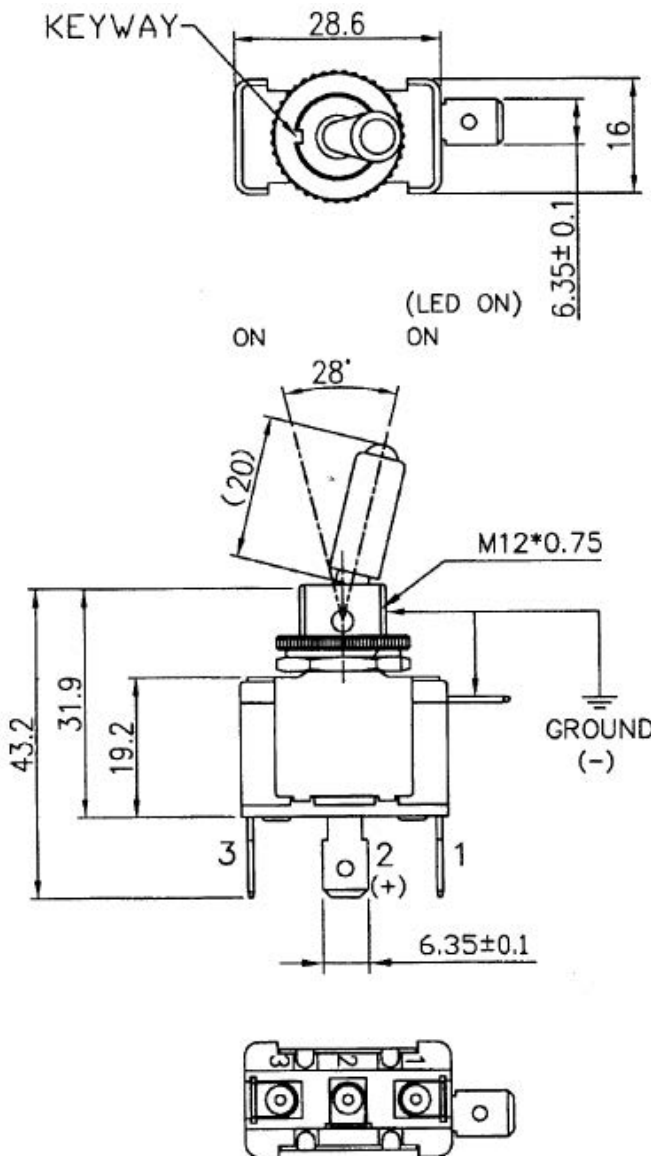
Unit: mm

# Datasheet

Item no. 1578687

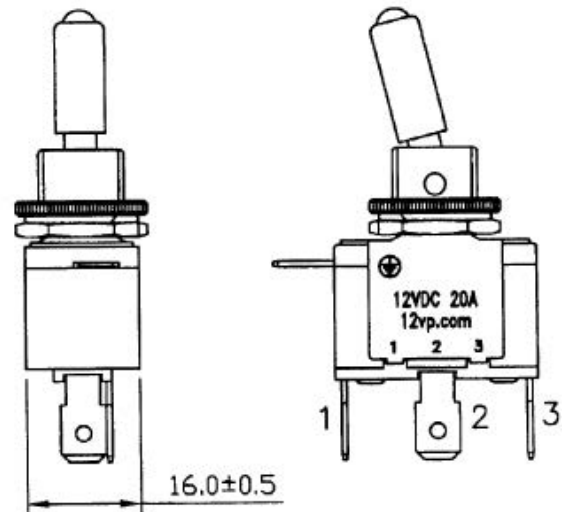
V1\_0717\_01\_en

Rating	20A 12VDC	Mount Hole	Circuit Structure
Contact R	50m ohm Max.		
Insulation R	DC 500V 100M ohm Min.		
Dielectric Strength	AC 1500V 1 minute		
Circuit	4P SPST ON-ON (LED)		



Descriptions:

1. Material: Frames are nylon (UL flame: 94V-2). Terminals are silver plated brass.  
 2. LED indicator on the top of lever LED red.



一般公差 ±0.5

Unit: mm

This is a publication by Conrad Electronic SE, Klaus-Conrad-Str. 1, D-92240 Hirschau (www.conrad.com).  
 All rights including translation reserved. Reproduction by any method, e.g. photocopy, microfilming, or the capture in electronic data processing systems require the prior written approval by the editor. Reprinting, also in part, is prohibited. This publication represents the technical status at the time of printing.