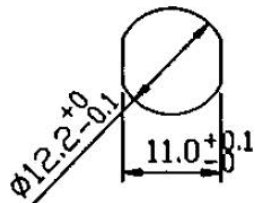
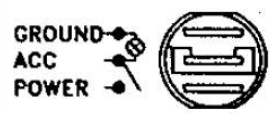
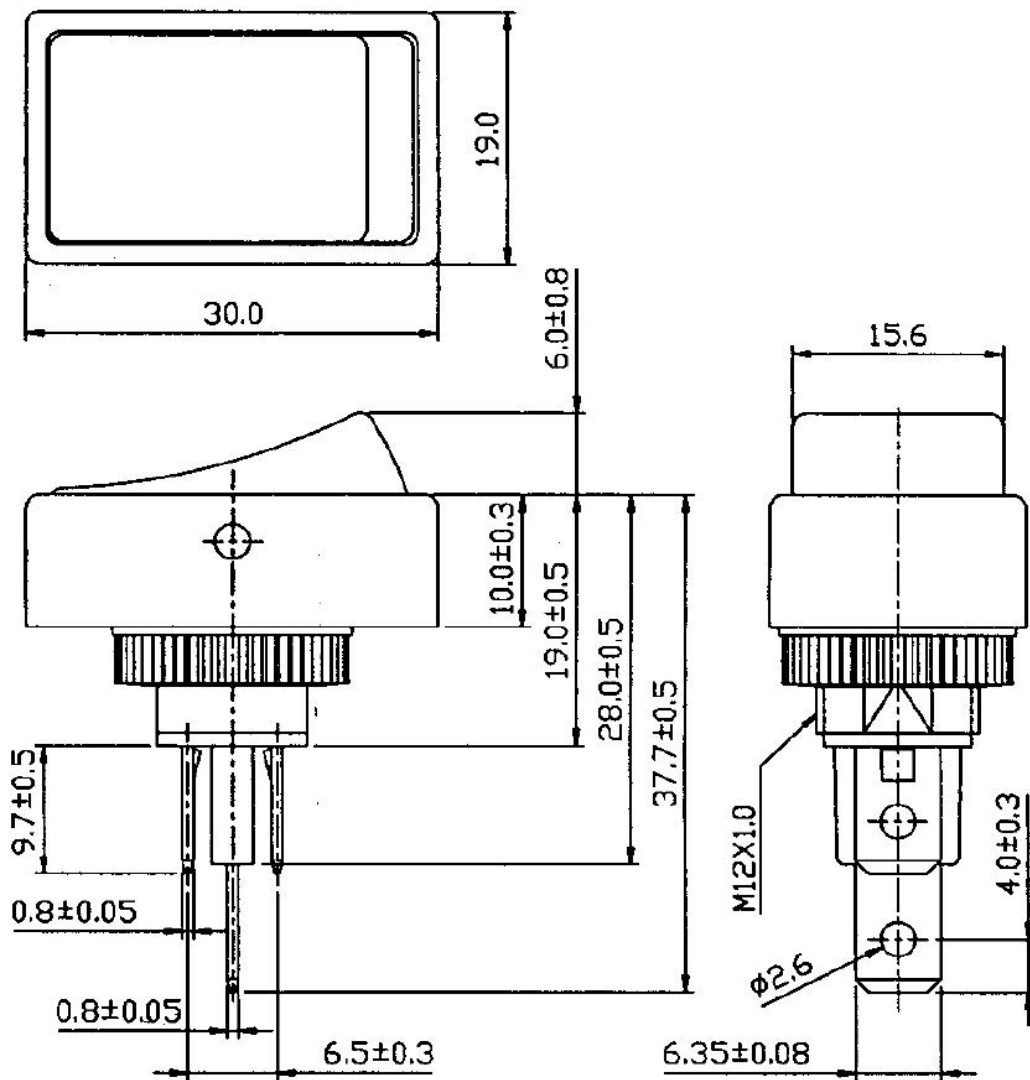


Rocker Switch, Green

規格 Rating	12V 20A	裝配孔 Mount Hole	線路 Circuit Structure
接觸電阻 Contact R	50m ohm Max.		
絕緣電阻 Insulation R	DC 500V 100M ohm Min.		
耐電壓 Dielectric Strength	AC 1500V 1 minute		
動作特性 Circuit	3P SPST ON-OFF		



Unit: mm

This is a publication by Conrad Electronic SE, Klaus-Conrad-Str. 1, D-92240 Hirschau (www.conrad.com).

All rights including translation reserved. Reproduction by any method, e.g. photocopy, microfilming, or the capture in electronic data processing systems require the prior written approval by the editor. Reprinting, also in part, is prohibited. This publication represents the technical status at the time of printing.

© Copyright 2017 by Conrad Electronic SE.