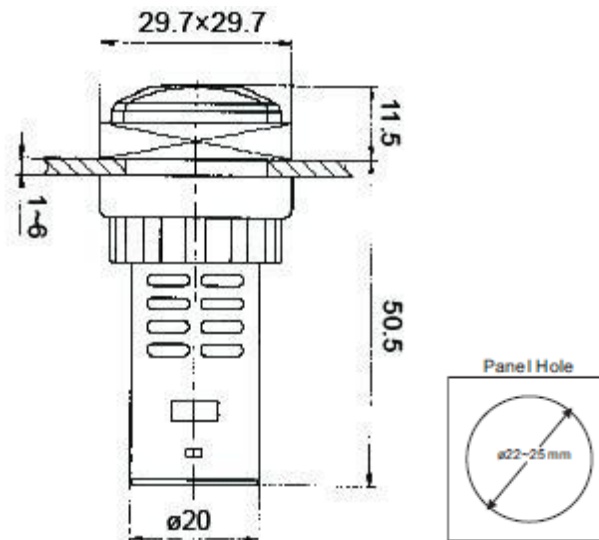


Square Flashing Buzzer (Red), 230V AC, Disconnected Sound



| | |
|---------------------------|---------------------|
| Voltage Rating: | AC230V |
| Colour: | Red |
| Sound: | Disconnected |
| Withstand Voltage: | 2.5KV per min. (AC) |
| Working Current: | <35mA |
| Frequency: | >2MΩ |
| Working Temperature: | AC50~60Hz |
| Protection Class: | >70dB (10cm) |
| Insulation Resistance: | -20 ~ 60°C |
| Sound Intensity (Volume): | <98% |
| Working Humidity: | IP65 |
| Safety Approval: | CE |