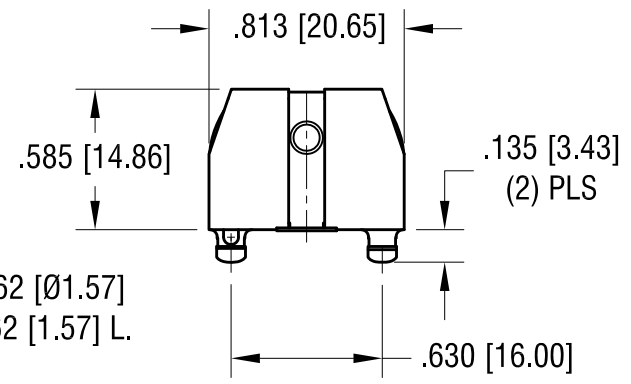
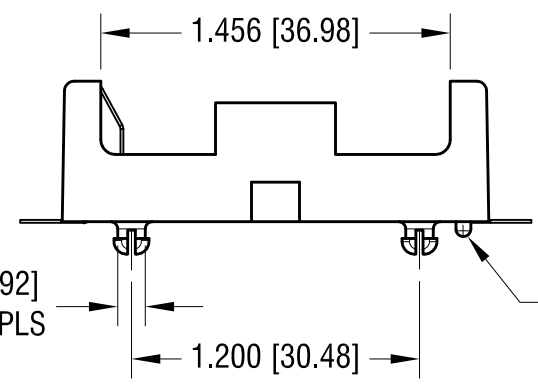
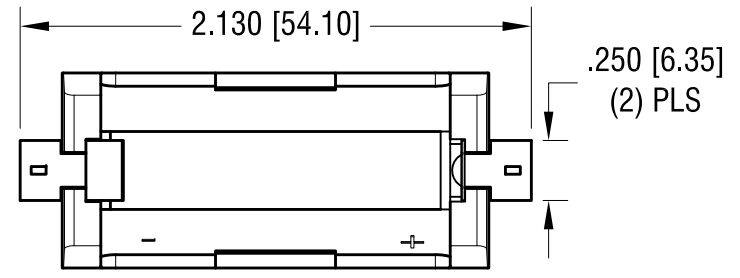
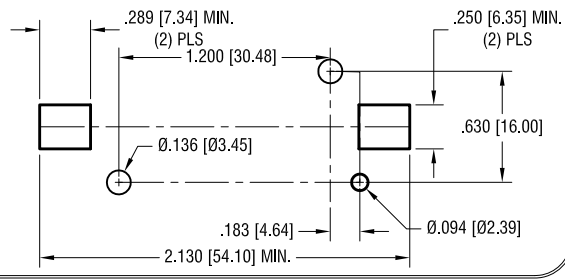
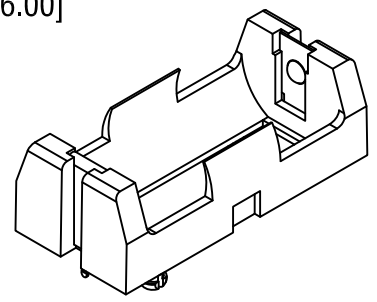
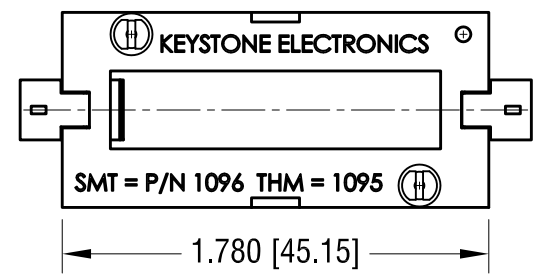


DATE	DESCRIPTION	REV.
9.14.14	CHANGE AS PER ECN 14-102	A

MOUNTING PAD LAYOUT



Ø.062 [Ø1.57]
x .062 [1.57] L.



NOTE:

- 1. BASE:
MAT'L: HEAT RESISTANCE NYLON
STANYL 46 OR EQUIVALENT
- 2. CONTACT:
MAT'L: .012 [0.30] THK STAINLESS STEEL
FINISH: GOLD FLASH, OVER NICKEL PLATE

KEYSTONE ELECTRONICS CORP.			
www.keyelco.com • ASTORIA, N.Y. 11105-2017 • Tel (718) 956-8900			
PART NAME PC POLARIZED HOLDER , 18350			
MATERIAL AS NOTED			
FINISH AS NOTED	DRN BY NT	DATE 7.30.14	
	APPD LN	SCALE 1.25X	
TOLERANCES INCH [MM] DECIMAL ±.010 [±0.25] ANGULAR ± 1° UNLESS OTHERWISE SPECIFIED	CODE C	DWG NO. 1096P	

THIS DOCUMENT IS THE PROPERTY OF KEYSTONE ELECTRONICS CORP. AND SHALL NOT BE REPRODUCED, DISTRIBUTED OR USED AS A BASIS FOR MANUFACTURE WITHOUT PRIOR WRITTEN PERMISSION FROM KEYSTONE ELECTRONICS CORP.