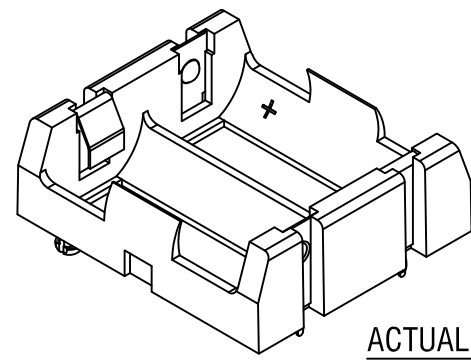
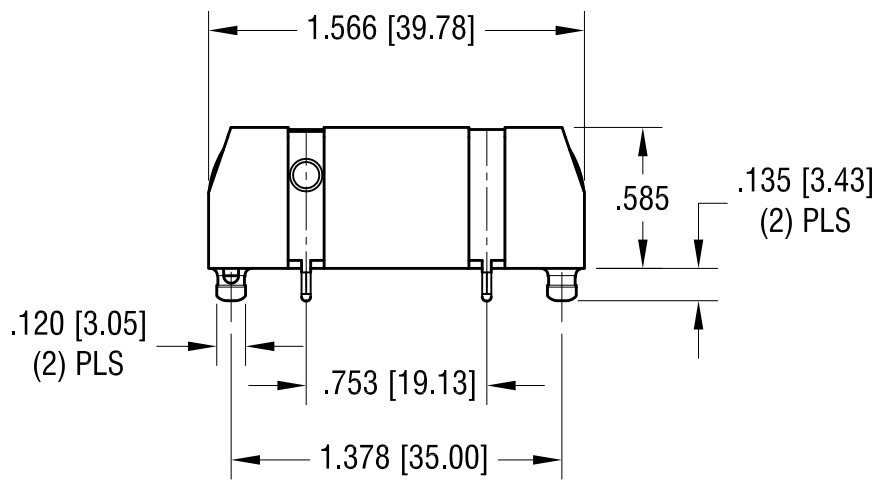
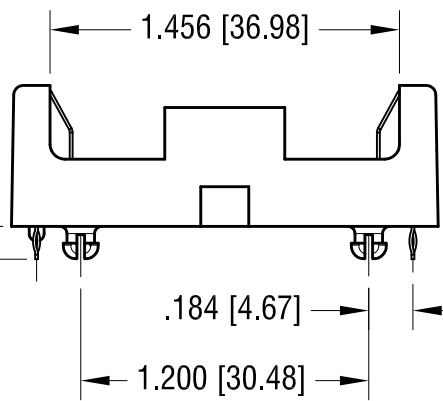
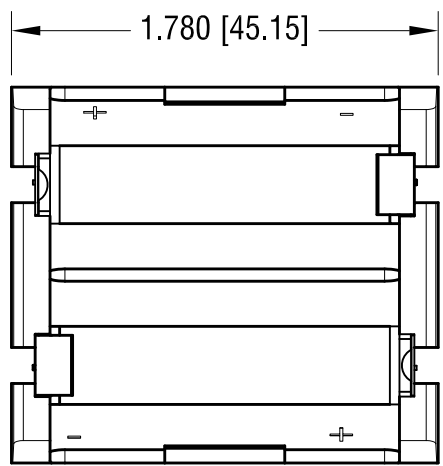
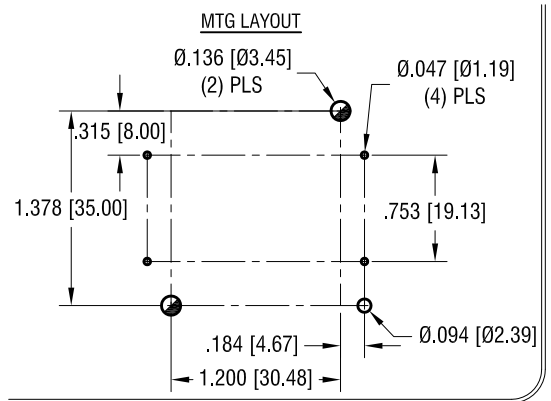


DATE	DESCRIPTION	REV.
9.14.4	CHANGE AS PER ECN 14-103	A



- NOTE:
- BASE:
MAT'L: HEAT RESISTANCE NYLON STANYL 46 OR EQUIVALENT
 - CONTACT:
MAT'L: .012 THK STAINLESS STEEL
FINISH: TIN NICKEL PLATE.

KEYSTONE ELECTRONICS CORP.			
www.keyelco.com • ASTORIA, N.Y. 11105-2017 • Tel (718) 956-8900			
PART NAME DUAL THM POLARIZED HOLDER			
MATERIAL AS NOTED			
FINISH AS NOTED	DRN BY NT	DATE 7.28.14	
	APPD LN	SCALE 1.25X	
TOLERANCES INCH [MM] DECIMAL ± .005 [±] ANGULAR ± 1° UNLESS OTHERWISE SPECIFIED	CODE C	DWG NO. 1097P	

THIS DOCUMENT IS THE PROPERTY OF KEYSTONE ELECTRONICS CORP. AND SHALL NOT BE REPRODUCED, DISTRIBUTED OR USED AS A BASIS FOR MANUFACTURE WITHOUT PRIOR WRITTEN PERMISSION FROM KEYSTONE ELECTRONICS CORP.