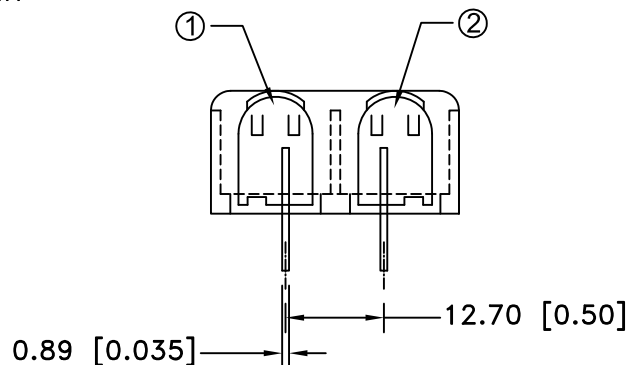
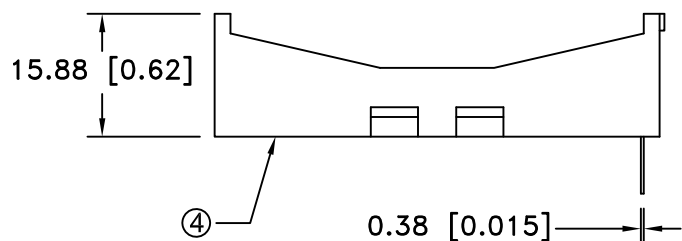
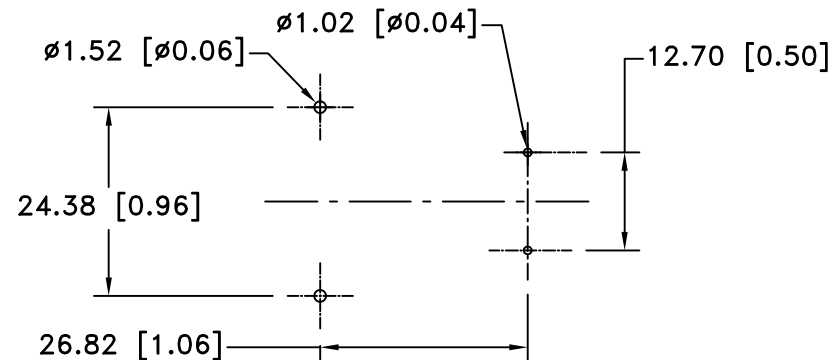
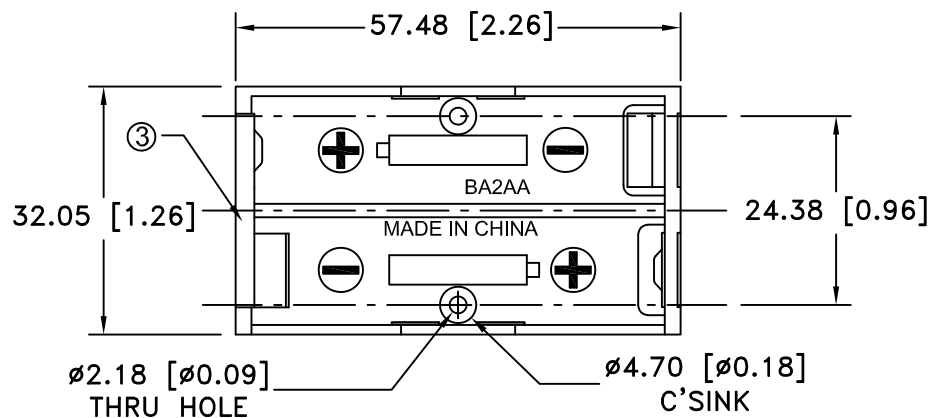


**SPECIFICATION:**

- HOUSING : BLACK POLYPROPYLENE  
 FLAMMABILITY RATING -UL94-V-0, UL FILE NO. E216959  
 TEMPERATURE RANGE: -10°C to +100°C  
 CONTACTS: NICKEL PLATED STAINLESS STEEL  
 CONTACT RESISTANCE: UNDER 50mΩ FOR +/- CONTACTS PER EIA-540J000  
 ROHS 2 COMPLIANT

Date	SYM	REVISION RECORD	AUTH	DR.	CK.
10/17/14	A	Updated to ROHS 2 Compliant Added Specification	T.B.	B.S.	
01/29/16	B	Updated Flammability Rating	T.B.	B.S.	



PCB LAYOUT

ITEM NO.	PART NO.	MATL. SPECIFICATION	QTY.	Tolerance (Except as noted)	MPD Memory Protection Devices, Inc 200 Broad Hollow Road, Farmingdale, New York 11735		
1	ABG-194	POSITIVE CONTACT, 302 STAINLESS STEEL, NICKLE PLTD.	1	decimal	Scale	Drawn By B.S.	
2	ABG-195	NEGATIVE CONTACT, 302 STAINLESS STEEL, NICKLE PLTD.	1	±.5 (.020)		Approved By T.B.	
3	ABG-196-1	RIGHT NEG./POS. CONTACT, 302 STAINLESS STEEL, NICKLE PLTD.	1	Fractional	Title TWO "AA" CELL SPRINGLESS HOLDER		
4	ABG-197	BLACK POLYPROPYLENE HOLDER, UL94V-0	1	± .8 (.030)	Date	Drawing Number	
MOUNTING INSTRUCTION: USE 2-56 MACHINE SCREWS OR EYELETS 0.089" OD BY 0.15" FLANGE STIMPSON GS-3 SERIES OR EQUIVALENT. ALSO ADHESIVES AND DOUBLE SIDED TAPES WORK WELL.				Angular	01/29/16	BA2AAPC-UL94V-0	
				± 3°			