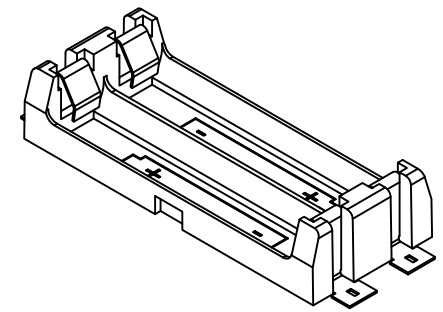
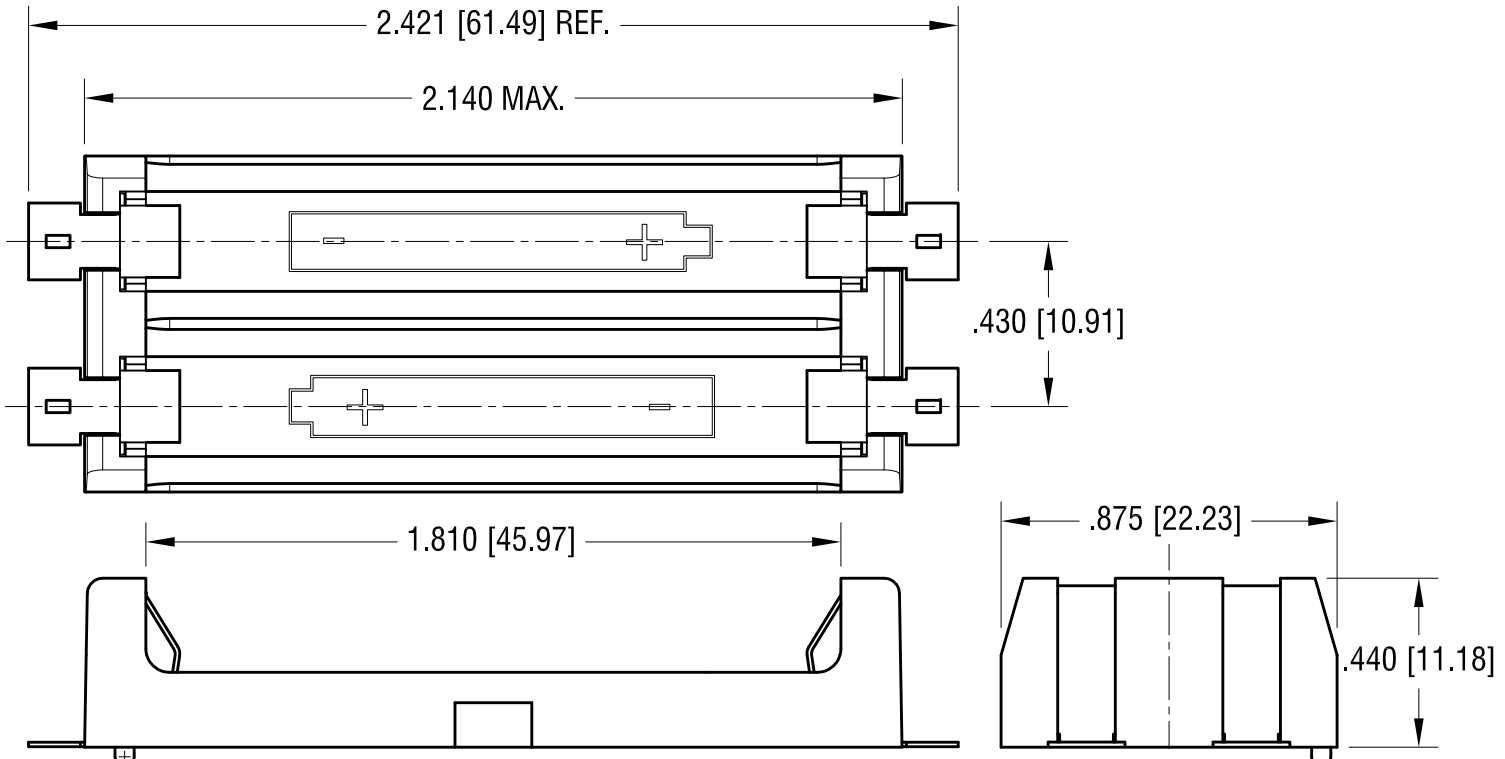
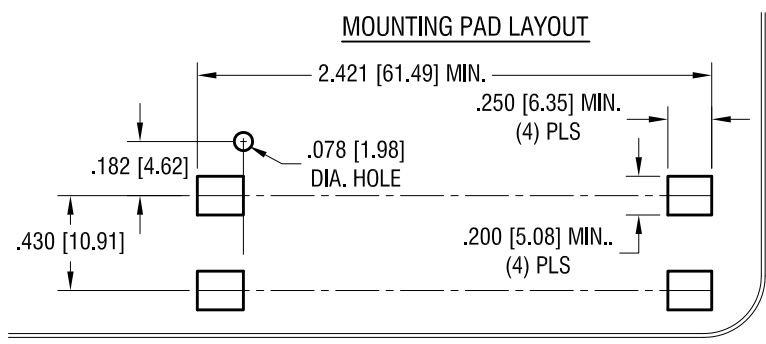


DATE	DESCRIPTION	REV.
2.17.10	CHANGE AS PER ECN 10-014	A
10.03.13	CHANGE AS PER ECN 13-078	B



ACTUAL SIZE

.050 [1.27] DIA. x
.050 [1.27] L. LEG

NOTE:

- 1. BASE:
MAT'L: HEAT RESISTANCE NYLON
STANYL 46 OR EQUIVALENT
- 2. CONTACT:
MAT'L: .012 [0.30] TH'K STAINLESS STEEL
FINISH: GOLD FLASH, OVER NICKEL PLATE.

THIS DOCUMENT IS THE PROPERTY OF KEYSTONE ELECTRONICS CORP. AND SHALL NOT BE REPRODUCED, DISTRIBUTED OR USED AS A BASIS FOR MANUFACTURE WITHOUT PRIOR WRITTEN PERMISSION FROM KEYSTONE ELECTRONICS CORP.

KEYSTONE ELECTRONICS CORP.			
www.keyelco.com • ASTORIA, N.Y. 11105-2017 • Tel (718) 956-8900			
PART NAME DUAL SM BATTERY HOLDER, AAA			
MATERIAL AS NOTED			
FINISH AS NOTED		DRN BY NT	DATE 12.08.09
		APPD LN	SCALE 2X
TOLERANCES	INCH [MM]	CODE	DWG NO.
DECIMAL	± .010 [± 0.25]	C	1022
ANGULAR	± 1°		
UNLESS OTHERWISE SPECIFIED			