



Features

- Available in E6 series
- Low unit height of 4.8 mm
- High current
- RoHS compliant*

Applications

- Input/output of DC/DC converters
- Power supplies for:
 - Portable communication equipment
 - Camcorders
 - LCD TVs
 - Car radios

SRR0604 Series - Shielded Power Inductors

Electrical Specifications

Bourns Part No.	Inductance 1 KHz		Q Ref.	Test Frequency (MHz)	SRF Min. (MHz)	RDC Max. (Ω)	I rms Max. (A)	I sat Typ. (A)
	μ H	Tol. %						
SRR0604-1R5ML	1.5	± 20	23	7.96	110.0	0.028	2.80	3.95
SRR0604-2R2ML	2.2	± 20	21	7.96	100.0	0.032	2.50	3.50
SRR0604-2R5ML	2.5	± 20	21	7.96	100.0	0.035	2.50	3.50
SRR0604-3R3ML	3.3	± 20	21	7.96	90.0	0.050	2.30	2.90
SRR0604-4R7ML	4.7	± 20	10	7.96	50.0	0.060	2.00	2.55
SRR0604-6R8ML	6.8	± 20	20	7.96	37.0	0.070	1.60	2.05
SRR0604-100ML	10	± 20	18	2.52	30.0	0.12	1.30	1.80
SRR0604-150ML	15	± 20	18	2.52	30.0	0.13	1.10	1.45
SRR0604-220ML	22	± 20	16	2.52	25.0	0.19	0.90	1.20
SRR0604-330KL	33	± 10	16	2.52	21.0	0.25	0.70	0.95
SRR0604-470KL	47	± 10	15	2.52	18.0	0.36	0.60	0.80
SRR0604-680KL	68	± 10	15	2.52	15.0	0.52	0.50	0.68
SRR0604-101KL	100	± 10	23	0.796	13.0	0.65	0.40	0.57
SRR0604-151KL	150	± 10	21	0.796	12.0	1.00	0.30	0.47
SRR0604-221KL	220	± 10	20	0.796	10.0	1.70	0.25	0.32
SRR0604-331KL	330	± 10	18	0.796	7.0	2.10	0.20	0.28
SRR0604-471KL	470	± 10	18	0.796	6.5	3.30	0.18	0.22
SRR0604-681KL	680	± 10	16	0.796	6.0	4.80	0.15	0.19
SRR0604-102KL	1000	± 10	15	0.252	5.5	6.10	0.12	0.15
SRR0604-222KL	2200	± 10	80	0.252	0.65	16.0	0.10	0.08

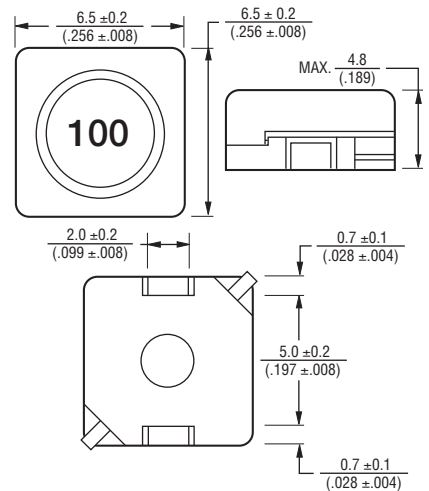
General Specifications

Test Voltage 1 Volt
 Reflow Soldering .. 230 °C, 50 sec. max.
 Operating Temperature
 -40 °C to +125 °C
 (Temperature rise included)
 Storage Temperature
 -40 °C to +125 °C
 Resistance to Soldering Heat
 260 °C for 5 sec.

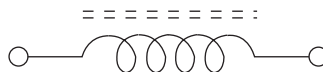
Materials

Core Ferrite DR & RI
 Wire Enameled copper
 Base LCP E4008
 Terminal Cu/Ni/Sn
 Rated Current
 Ind. drop of 10 % typ. at Isat
 Temperature Rise
 40 °C max. at rated I rms
 Packaging 1000 pcs. per reel

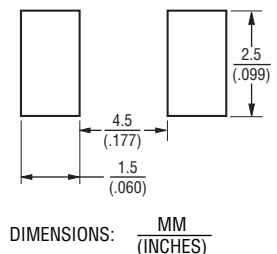
Product Dimensions



Schematic



Recommended Layout



*RoHS Directive 2002/95/EC Jan. 27, 2003 including annex and RoHS Recast 2011/65/EU June 8, 2011.

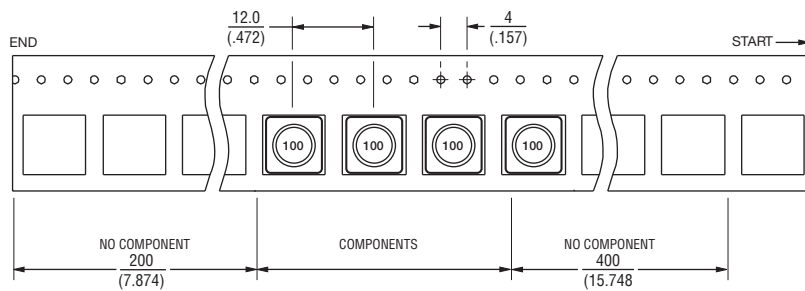
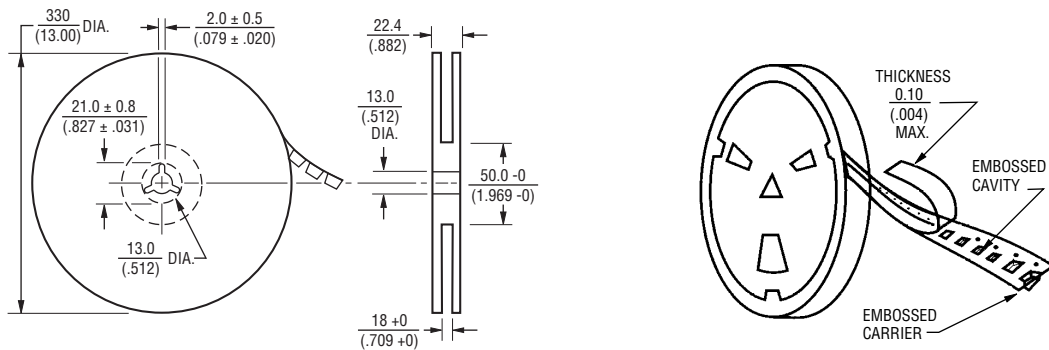
Specifications are subject to change without notice.

The device characteristics and parameters in this data sheet can and do vary in different applications and actual device performance may vary over time. Users should verify actual device performance in their specific applications.

SRR0604 Series - Shielded Power Inductors

BOURNS®

Packaging Specifications



QTY: 1000 PCS. PER REEL

DIMENSIONS: $\frac{\text{MM}}{\text{(INCHES)}}$

REV. 04/13

Specifications are subject to change without notice. The device characteristics and parameters in this data sheet can and do vary in different applications and actual device performance may vary over time. Users should verify actual device performance in their specific applications.