

# Digital display - MCR-SL-D-U-I - 2864011

Please be informed that the data shown in this PDF Document is generated from our Online Catalog. Please find the complete data in the user's documentation. Our General Terms of Use for Downloads are valid (<http://download.phoenixcontact.com>)



MCR digital display, for measurement and display of standard signals, 5-fig. display

## Product Features

- 48 x 24 mm display
- 8 mm LED, 7-segment
- Min./max. value saving
- 5-digit display
- For 0 ... 10 V and 0(4) ... 20 mA standard analog signals
- Electrical isolation
- Programmable
- Freely programmable decimal point display

## Key commercial data

package_quantity	1
GTIN	4017918820718

## Technical data

### Dimensions

Width	48 mm
Height	24 mm
Depth	68 mm

### Ambient conditions

Ambient temperature (operation)	-10 °C ... 50 °C
Ambient temperature (storage/transport)	-25 °C ... 70 °C
Degree of protection	IP65 from the front

### Input data

Voltage input signal	0 V ... 10 V
Current input signal	4 mA ... 20 mA
Current input signal	0 mA ... 20 mA
Max. input voltage	30 V DC
Max. input current	50 mA
Input resistance of voltage input	> 1 MΩ
Input resistance current input	(approx. 100 Ω with 5 mA / approx. 70 Ω with 20 mA)

# Digital display - MCR-SL-D-U-I - 2864011

## Technical data

### Power supply

Supply voltage range	10 V DC ... 30 V DC
Max. current consumption	50 mA

### General

Test voltage input/power supply	500 V <sub>rms</sub> (50/60 Hz, 1 min.)
Color	black
Housing material	Macrolon 2405
Conformance	CE-compliant
UL, USA / Canada	UL 508 Recognized

## classifications

### eCl@ss

eCl@ss 4.0	27143201
eCl@ss 4.1	27143201
eCl@ss 5.0	27143201
eCl@ss 5.1	27143201
eCl@ss 6.0	27143201
eCl@ss 7.0	27143201
eCl@ss 8.0	27143201

### ETIM

ETIM 2.0	EC000677
ETIM 3.0	EC000677
ETIM 4.0	EC000677
ETIM 5.0	EC000677

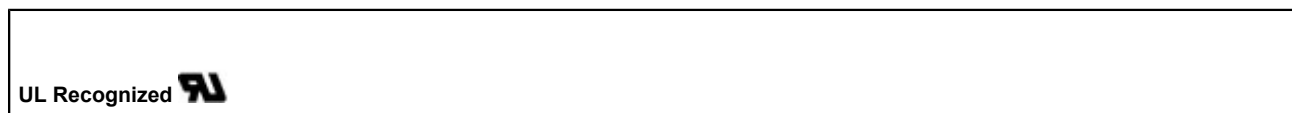
### UNSPSC

UNSPSC 6.01	30211506
UNSPSC 7.0901	39121008
UNSPSC 11	39121008
UNSPSC 12.01	39121008
UNSPSC 13.2	39121008

## approvals

UL Recognized / cUL Recognized / GOST / cULus Recognized /

### Approval details




# Digital display - MCR-SL-D-U-I - 2864011

approvals

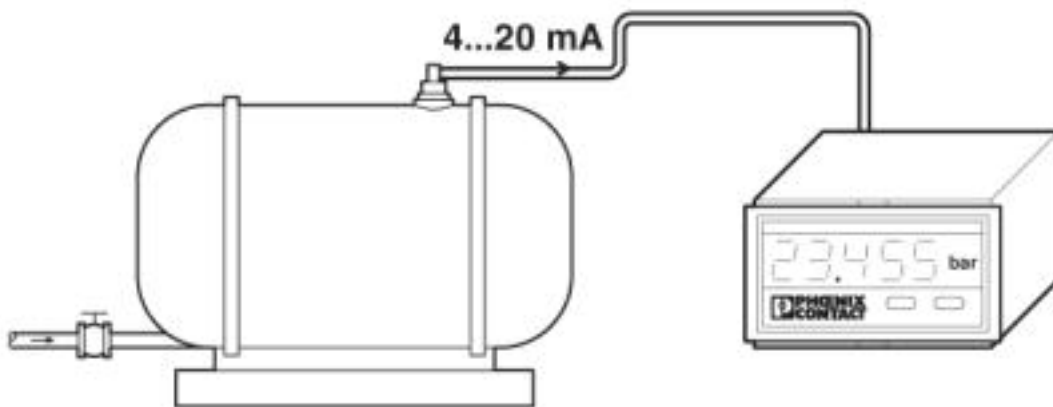
cUL Recognized 

GOST 

cULus Recognized 

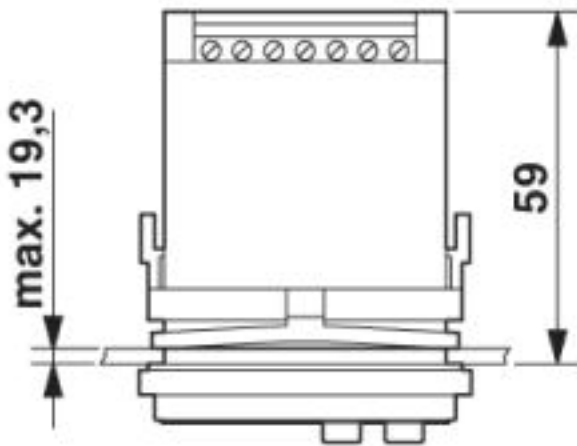
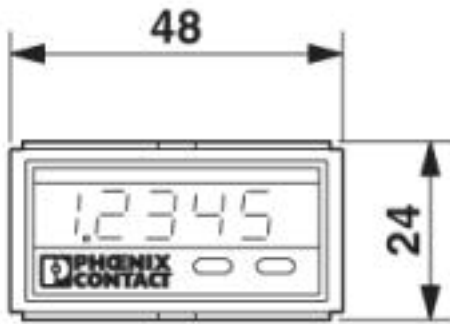
Drawings

Application drawing



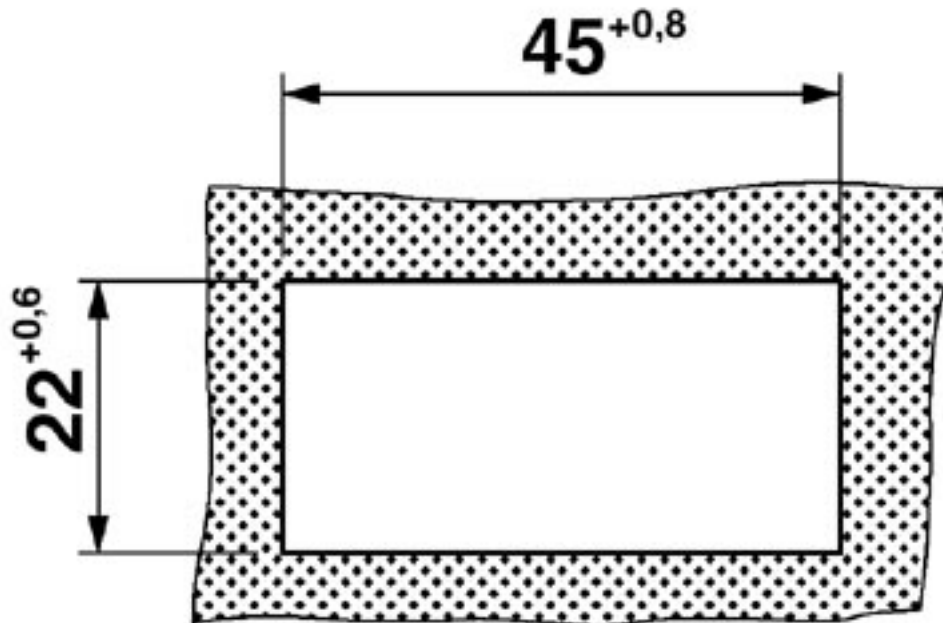
# Digital display - MCR-SL-D-U-I - 2864011

Dimensioned drawing



# Digital display - MCR-SL-D-U-I - 2864011

Dimensioned drawing



Circuit diagram

