

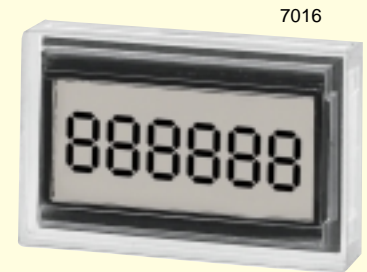
Miniature, low cost 4 digit and 6 digit LCD self-powered totalising counters



7010

Shown with panel mount bezel

UL E 135458



7016

Shown as PCB mount

The 7010 and 7016 are two counters based on the same miniature self powered totaliser. Both counters come ready for fitting and feature flying leads for connection to remote contact closure input devices.

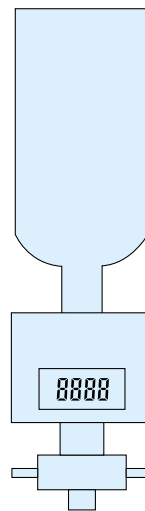
- Self powered for 4 - 5 years using a single standard 1.5V button cell.
- 4/6 digit 6mm character high contrast LCD display.
- Uses low power CMOS circuitry to achieve an expected battery life of 4 to 5 years at 20°C.
- Simple to install.
- Integral de-bounce circuitry.
- UL and cUL approved.

The counters increment the count when the contact is opened. They may be panel mounted with the optional bezels supplied.

Typical Application

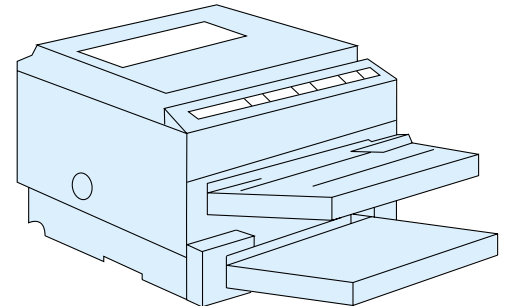
- *Applications where no power is available
- *Event counting
- *Portable equipment

- *Drinks optics
- *Luggage lockers



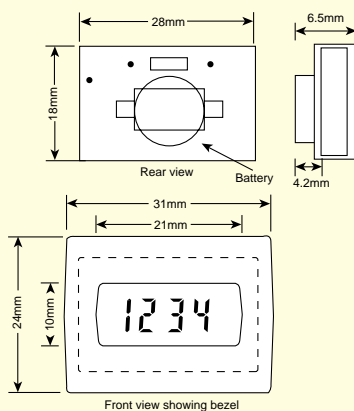
Drinks Optics

Laser Printer



Dimensions

27.6mm(W) x 17.7mm(H) x 6.5mm(D)
Panel cutout 29.4mm x 22mm



Specification

Supply Voltage
1.5V button cell type 386 or SR43

Expected Battery Life
3 - 4 years at 20°C

7010 Display 4 digit LCD, 6mm characters
Count Range 9999 display rollover to 0000

7016 Display 6 digit LCD, 6mm characters
Count Range 999999 display rollover to 0

Count Input
12Hz maximum, contact closure. Operates on contact opening

Reset
Reset to zero on insertion of battery

Operating Temp.
0°C to 50°C

Storage Temp.
-10°C to +60°C

Material
Clear polycarbonate, black ABS bezel

Environmental Protection
IP40/DIN40050

Weight
7.5 grams

Lead Length
24cm (7010 only)

Ordering Information

Order by type number:

- 7010: 4 digit LCD Self powered counter
- 7016: 6 digit LCD Self powered counter